

Miniature Particulate Filters



SPECIFICATIONS

WARNING! Polycarbonate plastic bowls could rupture if exposed to incompatible chemicals whether inside or outside the bowl. If such chemicals are present, use a metal bowl.

Polycarbonate Bowl

- Max. pressure 150 psig
- Operating temperature range 40°F to 125°F

Metal Bowl

- Black coated aluminum
- Max. pressure 250 psig
- Operating temperature range 40°F to 175°F

Piston Drain

Note: Z option is differential drain which opens & ejects water only when a differential pressure is created at the start of air flow. The piston drain lifts up (approx. 1 second) & closes, it will not operate again until the flow stops, then starts back up again.

- Max. pressure 175 psig
- Operating temperature range 40°F to 175°F

Body black coated zinc

Baffle plastic

Seals Buna N

Elements

- 20 micron sintered bronze
- 5 micron sintered bronze

KITS

Bowl Kits

- Polycarbonate BKF300
- Polycarbonate with overnight drain BKF300J
- Metal BKF300M

Element Kits

- 20 micron 2-pack EKF300
- 5 micron 2-pack EKF300-5

Drain Kit

- Piston drain kit PKF300
- Mounting Bracket FBK3

FEATURES

- 20 micron sintered bronze element
- High strength, recleanable
- 1 oz. polycarbonate bowl
- Manual twist drain

OPTIONS

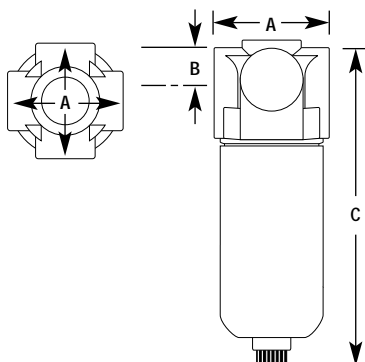
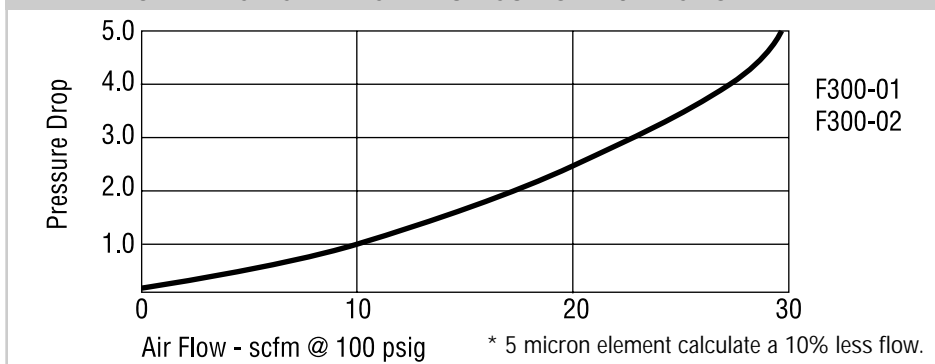
add suffix to part number in alpha and numeric order

Overnight Drains

An overnight drain operates when a compressed air system is shut down. It clears accumulated condensate from a filter bowl when pressure falls to 3 psig or less. It then closes when pressure rises to 6 psig.

- J Overnight drain for polycarbonate bowl F300-01J
Push to manually drain.
- K Overnight drain for metal bowl F300-01KM
Twist to manually drain.
- M Metal bowl F300-01M
- Z Piston drain F300-01Z
- 5 5 micron element F300-01-5

PERFORMANCE CHARACTERISTICS FOR 20 MICRON ELEMENT



DIMENSIONS

PIPE SIZE	MODEL NO.	MAX. FLOW SCFM*	BOWL CAPACITY	DIMENSIONS (INCHES)			WEIGHT (LBS.)
				A	B	C	
1/8"	F300-01	27	1 oz.	1 1/2	1/2	4 5/8	.5
1/4"	F300-02	27	1 oz.	1 1/2	1/2	4 5/8	.5

* Flow scfm based on 5.0 psi Δ p @ 100 psig inlet.

Tri•Star Particulate Filters



OPTIONS

add suffix to part number in alpha and numeric order

Float Drain

An internal float rises as condensate accumulates in a filter bowl to activate the drain.

F Internal float drain F352F

Overnight Drains

An overnight drain operates when a compressed air system is shut down. It clears accumulated condensate from a filter bowl when pressure falls to 3 psig or less.

J Overnight drain for polycarbonate bowl F352J
Push to manually drain.

K Overnight drain for metal bowl F352KM
Twist to manually drain.

M Black coated metal bowl F352M

W Black coated metal bowl with sight F352W

-5 5 micron element F352-5

-3 3 micron absolute element F352-3

SPECIFICATIONS

WARNING! Polycarbonate plastic bowls could rupture if exposed to incompatible chemicals whether inside or outside the bowl. If such chemicals are present, use a metal bowl.

Polycarbonate Bowl

- Max. supply pressure 150 psig
- Operating temperature range 40°F to 125°F

Metal Bowl

- Zinc, black coated
- Max. supply pressure 250 psig
- Operating temperature range 40°F to 200°F

Metal Bowl with Sight

- Zinc, black coated
- Max. supply pressure 250 psig
- Operating temperature range 40°F to 160°F

Internal Float Drain

- Buna N float
- Note: limits bowl temperature and pressure rating
- Operating pressure range 30 to 175 psig
- Operating temperature range 40°F to 120°F

Body black coated aluminum

Bowl Guard nickel plated steel

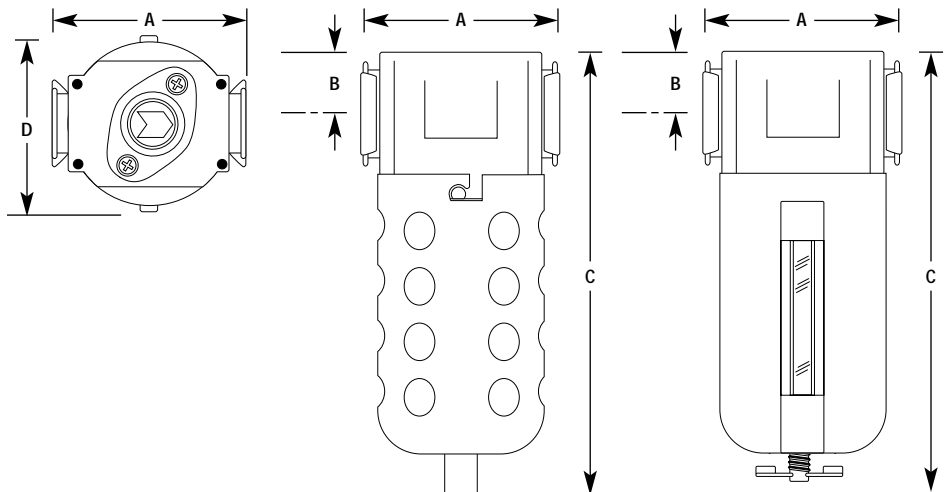
Baffle plastic

Vane plastic

Seals Buna N

FEATURES

- 40 micron sintered bronze element offers depth filtration. High strength, recleanable
- 5 oz. polycarbonate bowl with nickel plated steel bowl guard
- Manual push drain on polycarbonate bowl
- In-line or modular installation



F3

Elements

- 40 micron sintered bronze standard
- 5 micron sintered bronze
- 3 micron absolute pleated fiber

KITS

- Internal float drain kit 5200

Bowl Kits

- Polycarbonate with guard . . . BKF35
- Black coated metal BKF45M
- Black coated metal with sight BKF45W

Element Kits

- 40 micron 2-pack EK35
- 5 micron 2-pack EK35-5
- 3 micron absolute 2-pack . . . EK35-3

Repair Kits

- Repair kit RKF35
- Replacement sight kit WK45

Mounting Kit see page 65

- Mounting kit FBK5

3 Micron Absolute

The new Arrow 3 micron absolute element is a high efficiency particulate removal element. Unlike nominal rated particulate elements, the 3 micron absolute is qualified to an efficiency rating of 99.5% **solid particulate removal** at 3 microns, and maintains 95% efficiency ratings to .3 microns.

PARTICLE SIZE	REMOVAL EFFICIENCY RATING*	
	5 MICRON NOMINAL	ARROW 3 MICRON ABSOLUTE
.3 μ	19.2%	95.0%
.5 μ	28.8%	97.6%
1.0 μ	35.1%	97.6%
3.0 μ	89.7%	99.5%

* Beta Filtration Rating β₃ = 200

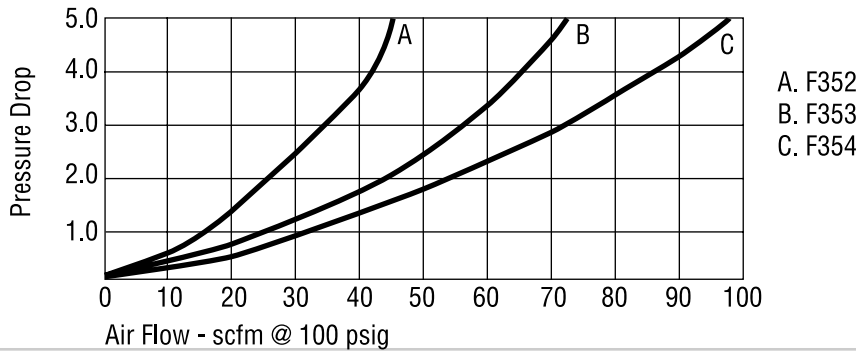
Features:

- Element media is cellulosic and synthetic fibers with a resin binder. The pleated design has 10 times the surface area of sintered nominal rated elements and increases particle collection.
- End seals consist of 50 durometer Urethane to prevent solid particulate leakage past the element.
- Solid rib supports add extra strength and prevent element collapse under high differential pressure loads.
- Flow and pressure drop identical to 40 micron element.

Applications:

- Air gauging equipment
- Instrument air
- After filter for desiccant dryer

PERFORMANCE CHARACTERISTICS FOR 40 MICRON ELEMENT



* 5 micron element reduces flow by 10%

DIMENSIONS

PIPE SIZE	MODEL NO.	MAX. FLOW SCFM*	BOWL CAPACITY	DIMENSIONS (INCHES)				WEIGHT (LBS.)
				A	B	C	D	
1/4"	F352	48	5 oz.	2 3/4	3/4	6 1/4	2 1/2	1.2
3/8"	F353	75	5 oz.	2 3/4	3/4	6 1/4	2 1/2	1.2
1/2"	F354	100	5 oz.	2 3/4	3/4	6 1/4	2 1/2	1.2
1/4"	F352W	48	6 oz.	2 3/4	3/4	6 7/8	2 1/2	1.7
3/8"	F353W	75	6 oz.	2 3/4	3/4	6 7/8	2 1/2	1.7
1/2"	F354W	100	6 oz.	2 3/4	3/4	6 7/8	2 1/2	1.7

* Flow scfm based on 5.0 psi Δ p @ 100 psig inlet.

MidFlow Particulate Filters



SPECIFICATIONS

Metal Bowl

- Zinc, black coated
- Max. supply pressure 250 psig
- Operating temperature range 40°F to 200°F

Metal Bowl with sight

- Zinc, black coated
- Max. supply pressure 250 psig
- Operating temperature range 40°F to 160°F

Internal Float Drain

- Buna N float
- Note: limits bowl temperature and pressure rating
- Operating pressure range 30 to 175 psig
- Operating temperature range 40°F to 120°F

Body black coated aluminum

Baffle plastic

Seals Buna N

Vane plastic

Elements

- 40 micron sintered bronze
- 5 micron sintered bronze
- 3 micron absolute pleated fiber

KITS

- Internal float drain kit 5200

Bowl Kits

- Metal with sight BKF47W
BKF48W
- Metal without sight BKF47M
BKF48M

Element Kits

- 40 micron EK37, EK38
- 5 micron EK37-5, EK38-5
- 3 micron absolute EK37-3, EK38-3

Repair Kits

- Repair kit RKF37
RKF38
- Replacement sight kit WK47

Mounting Kit see page 65

- Mounting kit FBK7

FEATURES

- 40 micron sintered bronze element offers depth filtration. High strength, recleanable
- 10 oz. or 20 oz. black coated metal bowl with liquid level sight
- Manual twist drain
- High Flow, low pressure drop

OPTIONS

add suffix to part number in alpha and numeric order

Float Drain

An internal float rises as condensate accumulates in a filter bowl to activate the drain.

F Internal float drain F373FW

Overnight Drains

An overnight drain operates when a compressed air system is shut down. It clears accumulated condensate from a filter bowl when pressure falls to 3 psig or less. It then closes when pressure rises to 6 psi.

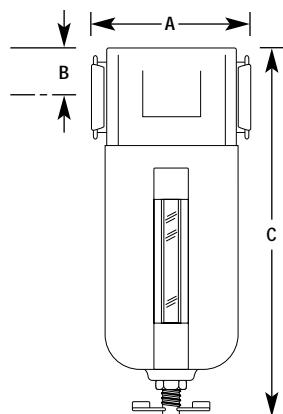
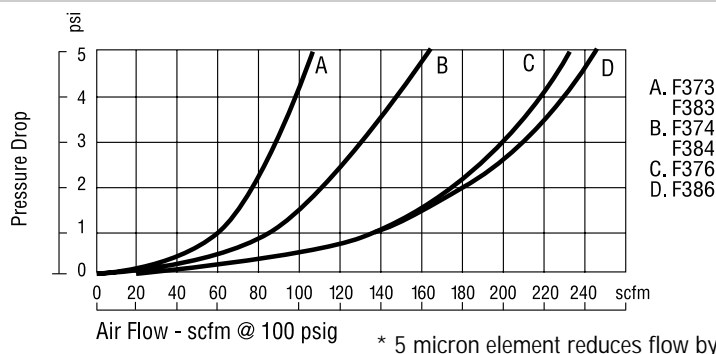
K Overnight drain F373KW
Twist to manually drain.

M Metal bowl without sight glass F373M

5 5 micron element F373W5

3 3 micron absolute element F373W3

PERFORMANCE CHARACTERISTICS FOR 40 MICRON ELEMENT



DIMENSIONS

PIPE SIZE	MODEL NO.	MAX. FLOW SCFM*	BOWL CAPACITY	DIMENSIONS (INCHES)			WEIGHT (LBS.)
				A	B	C	
3/8"	F373W	110	10 oz.	3 3/4	1 3/32	7 5/8	2.7
3/8"	F383W	110	20 oz.	3 3/4	1 3/32	10 7/8	3.8
1/2"	F374W	160	10 oz.	3 3/4	1 3/32	7 5/8	2.7
1/2"	F384W	165	20 oz.	3 3/4	1 3/32	10 7/8	3.8
3/4"	F376W	230	10 oz.	3 3/4	1 3/32	7 5/8	2.7
3/4"	F386W	245	20 oz.	3 3/4	1 3/32	10 7/8	3.8

* Flow scfm based on 5.0 psi Δ p @ 100 psig inlet.

High Flow Particulate Filters



FEATURES

- 40 micron sintered bronze element offers depth filtration. High strength, recleanable.
- Metal bowl is standard with liquid level sight
- Manual twist drain

OPTIONS

add suffix to part number in alpha and numeric order

D Differential pressure gauge . F329-10

DWFloat Drain

An internal float rises as condensate accumulates in a filter bowl to activate the drain.

F Internal float drain F329-08FW

Overnight Drains

An overnight drain operates when a compressed air system is shut down. It clears accumulated condensate from a filter bowl when pressure falls to 3 psig or less. It then closes when pressure rises to 6 psi.

K Overnight drain for metal bowl F329-08KW
Twist to manually drain

5 5 micron element F329-08W5

3 3 micron absolute element . F329-08W3

For Metal Bowl without sight delete W

SPECIFICATIONS

Metal Bowl

- Steel, black coated
- Max. supply pressure 250 psig
- Operating temperature range 40°F to 200°F

Metal Bowl with sight

- Steel, black coated
- Max. supply pressure 250 psig
- Operating temperature range 40°F to 160°F

Internal Float Drain

- Buna N float
- Operating pressure range 30 to 175 psig
- Operating temperature range 40°F to 120°F

Body black coated aluminum

Baffle plastic

Seals Buna N

Vane aluminum

Elements

- 40 micron sintered bronze
- 5 micron sintered bronze
- 3 micron absolute pleated fiber

KITS

- Internal float drain 5200

Bowl Kits

- Metal with sight BKF329W
- Metal without sight BKF329M

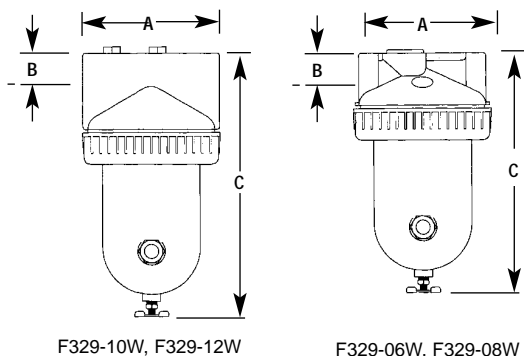
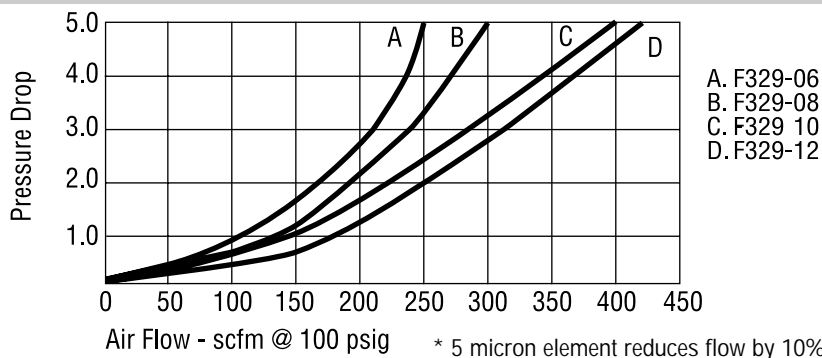
Element Kits

- 40 micron EKF329
- 5 micron EKF329-5
- 3 micron absolute EKF329-3

Repair Kits

- Repair kit RKF329
- Replacement sight kit WK35

PERFORMANCE CHARACTERISTICS



DIMENSIONS

PIPE SIZE	MODEL NO.	MAX. FLOW SCFM*	BOWL CAPACITY	DIMENSIONS (INCHES)			WEIGHT (LBS.)
				A	B	C	
3/4"	F329-06W	260	29 oz.	5 ⁵ / ₃₂	1 ³ / ₁₆	9 ¹³ / ₃₂	3.7
1"	F329-08W	300	29 oz.	5 ⁵ / ₃₂	1 ⁵ / ₁₆	9 ¹³ / ₃₂	3.7
1 1/4"	F329-10W	400	29 oz.	5 1/4	1 1/2	10 ¹¹ / ₃₂	6.3
1 1/2"	F329-12W	425	29 oz.	5 1/4	1 1/2	10 ¹¹ / ₃₂	6.3

* Flow scfm based on 5.0 psi Δ p @ 100 psig inlet.

High Flow Particulate Filters



SPECIFICATIONS

Metal Bowl

- Steel, black coated
- Max. supply pressure 250 psig
- Operating temperature range 40°F to 200°F

Metal Bowl with sight

- Steel, black coated
- Max. supply pressure 250 psig
- Operating temperature range 40°F to 160°F

Internal Float Drain

- Buna N float
- Operating pressure range 30 to 175 psig
- Operating temperature range 40°F to 120°F

Body black coated aluminum

Baffle plastic

Seals Buna N

Vane aluminum

Elements

- 40 micron pleated fiber
- 5 micron pleated fiber
- 3 micron absolute pleated fiber

KITS

- Internal float drain 5200

Bowl Kits

- Metal with sight BKF364W
- Metal without sight BKF364

Element Kits

- 40 micron EKF358
- 3 micron EKF358-3

Repair Kits

- Repair kit RKF508
- Replacement sight kit WK35

FEATURES

- 40 micron pleated fiber element offers depth filtration. High strength, recleanable.
- Metal bowl is standard
- Twist drain

OPTIONS

add suffix to part number in alpha and numeric order

D Differential pressure gauge . F358HF-08D

Float Drain

An internal float rises as condensate accumulates in a filter bowl to activate the drain.

F Internal float drain F358HF-08F

Overnight Drains

An overnight drain operates when a compressed air system is shut down. It clears accumulated condensate from a filter bowl when pressure falls to 3 psig or less. It then closes when pressure rises to 6 psi.

K Overnight drain F358HF-08K

Twist to manually drain.

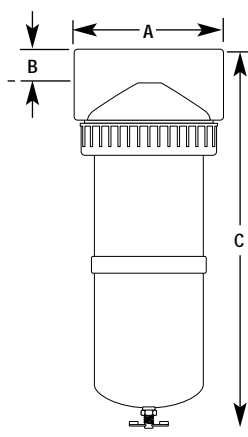
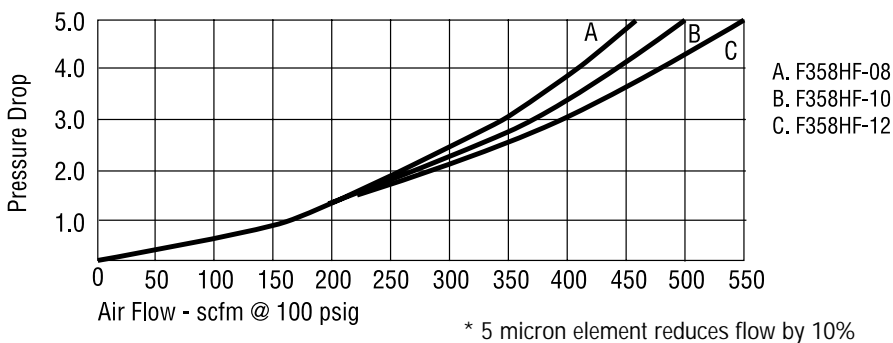
W Metal bowl

with sight glass F358HF-08W

-3 3 micron

absolute element F358HF-08-3

PERFORMANCE CHARACTERISTICS FOR 40 MICRON ELEMENT



DIMENSIONS

PIPE SIZE	MODEL NO.	BOWL CAPACITY	MAX. FLOW SCFM*	DIMENSIONS (INCHES)			WEIGHT (LBS.)
				A	B	C	
1"	F358HF-08	50 oz.	460	5 1/4	1 1/2	14 1/2	11
1 1/4"	F358HF-10	50 oz.	500	5 1/4	1 1/2	14 1/2	9
1 1/2"	F358HF-12	50 oz.	550	5 1/4	1 1/2	14 1/2	7.8

* Flow scfm based on 5.0 psi Δ p @ 100 psig inlet.



High Flow Particulate Filters



SPECIFICATIONS

Metal Bowl

- Black coated aluminum
- Max. supply pressure 250 psig
- Operating temperature range 40°F to 200°F

Metal Bowl with sight

- Black coated aluminum
- Max. supply pressure 250 psig
- Operating temperature range 40°F to 160°F

Body black coated aluminum

Baffle plastic

Seals Buna N

KITS

- Float for External Drain 5200

Bowl Kits

- Metal with sight BKF510W
- Metal without sight BKF510
- Metal with sight BKF518W
- Metal without sight BKF518

Element Kits

- 40 micron EKF3N1
- 3 micron EKF3N1-3
- 40 micron EKF3NHF
- 3 micron EKF3NHF-3

Repair Kits

- Repair kit RKF3N1
RKF519
- Replacement sight kit BSF510

FEATURES

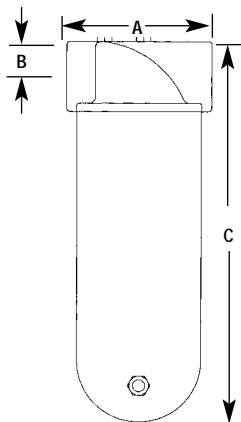
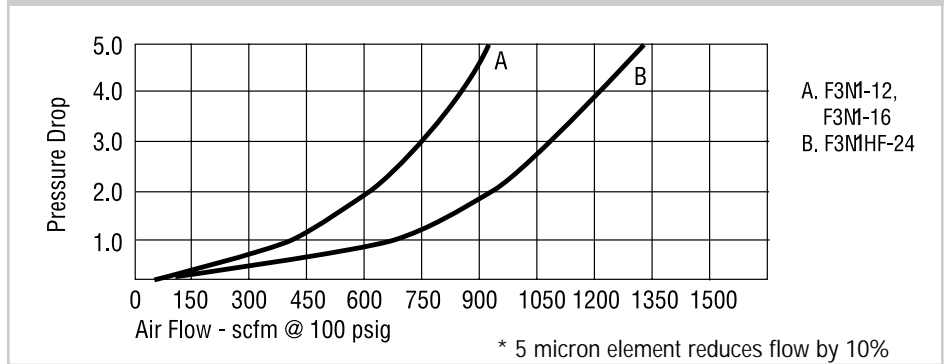
- 40 micron standard element offers depth filtration for 1½" and 2". High strength, recleanable.
- Metal bowl is standard
- Twist drain

OPTIONS

add suffix to part number in alpha and numeric order

- D** Differential pressure gauge . F3N1-12D
- T** External Float Drain F3N1-12T
- W** Metal bowl with sight glass F3N1-12W
- 3** 3 micron absolute element F3N1-12-3

PERFORMANCE CHARACTERISTICS FOR 40 MICRON ELEMENT



DIMENSIONS

PIPE SIZE	MODEL NO.	BOWL CAPACITY	MAX. FLOW SCFM*	DIMENSIONS (INCHES)			WEIGHT (LBS.)
				A	B	C	
1½"	F3N1-12	100 oz.	910	6½	2	17¾	13
2"	F3N1-16	100 oz.	910	6½	2	17¾	13
3"	F3NHF-24	200 oz.	1300	7⅝	2¼	27½	18

* Flow scfm based on 5.0 psi Δ p @ 100 psig inlet.

Miniature Coalescing Filters



SPECIFICATIONS

Polycarbonate Bowl

- Max. pressure 150 psig
- Operating temperature range 40°F to 125°F

Metal Bowl

- Black coated Aluminum
- Max. pressure 250 psig
- Operating temperature range 40°F to 175°F

Piston Drain

Note: Z option is differential drain which opens & ejects water only when a differential pressure is created at the start of air flow. The piston drain lifts up (approx. 1 second) & closes, it will not operate again until the flow stops, then starts back up again.

- Operating pressure range 30 to 175 psig
- Operating temperature range 40°F to 120°F

Body

- Black coated aluminum

Elements

- .03 micron borosilicate glass fiber
D.O.P. Efficiency: 99.97%, Particle size removal, Remaining oil content by wt.: .015 PPM
- .01 micron borosilicate glass fiber
D.O.P. Efficiency: 99.999%, Particle removal size, Remaining oil content by wt.: .0005 PPM

KITS

- Piston drain PKF300
- Overnight Metal (K). CKFK

Bowl Kits

- 1 oz. poly. bowl. BKF300
- 1 oz. poly. bowl with piston drain. BKF300J
- 1 oz. metal bowl BKF300M
- 1 oz. metal bowl with overnight drain BKF300KM

Element Kits

- .03 micron 2-pack. EKF500
Clear net or no color
- .01 micron 2-pack. EKF500A
Red net or dot

Mounting Kit see page 65

- Mounting kit FBK3

FEATURES

- .03 micron fiber element
- 1 oz. polycarbonate bowl
- Manual twist drain

OPTIONS

add suffix to part number in alpha order

A .01 micron element F500-02A

Overnight Drains

When a compressed air system is shut down, an overnight drain clears accumulated condensate from a filter bowl when the pressure falls to 3 psig or less.

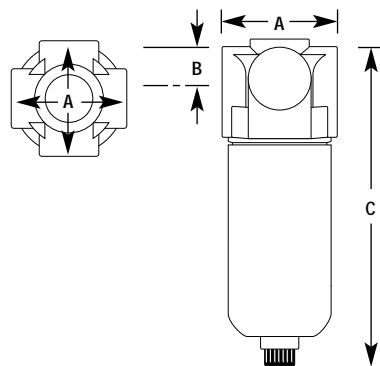
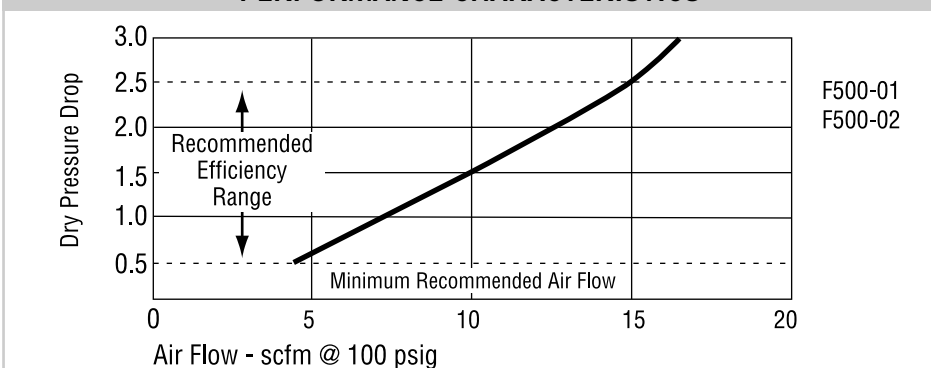
J Overnight drain for polycarbonate bowl F500-02J
Push to manually drain.

K Overnight drain for metal bowl F500-02KM
Twist to manually drain.

M Metal bowl F500-02M

Z Piston drain F500-02Z

PERFORMANCE CHARACTERISTICS



DIMENSIONS

PIPE SIZE	MODEL NO.	MAX. FLOW SCFM*	BOWL CAPACITY	DIMENSIONS (INCHES)			WEIGHT (LBS.)
				A	B	C	
1/8"	F500-01	15	1 oz.	1 1/2	1/2	4 1/2	.5
1/4"	F500-02	15	1 oz.	1 1/2	1/2	4 1/2	.5

* Flow scfm based on 2.5 psi Δ p @ 100 psig inlet.

Tri-Star Coalescing Filters



SPECIFICATIONS

Body Black coated aluminum

Baffle plastic

Seals Buna N

Metal Bowl

- Zinc, black coated
- Max. pressure 250 psig
- Operating temperature range 40°F to 200°F

Metal Bowl with Sight nickel plated zinc

- Zinc, black coated
- Max. pressure 250 psig
- Operating temperature range 40°F to 160°F

Internal Float Drain

plastic, metal, brass, Buna N seal
 Note: limits bowl temperature and pressure rating

- Operating pressure range 30 to 175 psig
- Operating temperature range 40°F to 120°F

Elements

- .03 micron borosilicate glass fiber
 D.O.P. Efficiency: 99.97%, Particle size removal, Remaining oil content by wt.: .015 PPM

- .01 micron borosilicate glass fiber
 D.O.P. Efficiency: 99.999%, Particle size removal, Remaining oil content by wt.: .0005 PPM

KITS

- Internal float drain kit 5200

Bowl Kits

- Metal without sight BKF45M
- Metal with sight BKF45W

Element Kits

- .03 micron 2-pack. EK55
 Clear net no color
- .01 micron 2-pack. EK55A
 Red net or dot

Repair Kits

- Repair kit RKF45
- Replacement sight kit WK35
- Indicator Pop-up kit DPK-05

Mounting Kit see page 65

- Mounting kit FBK3

FEATURES

- .03 micron fiber element
- Pop-up indicator indicates abnormal condition such as plugged element or excessive flow. Critical protection requires changing element at regular intervals.
- Low pressure drop
- 6 oz. black coated metal bowl with liquid level sight
- Black coated aluminum housing
- Manual drain
- In line or modular installation

OPTIONS

add suffix to part number in alpha order

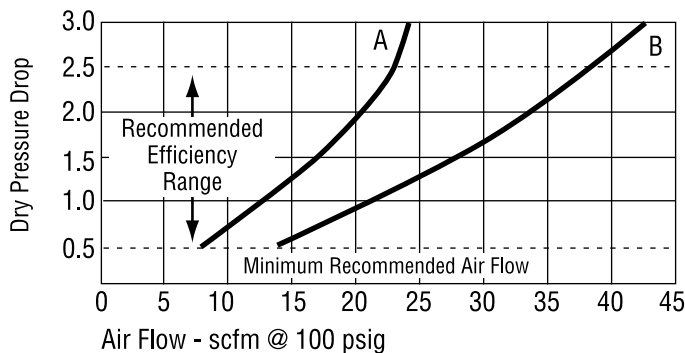
A .01 micron element F552AW

Float Drain

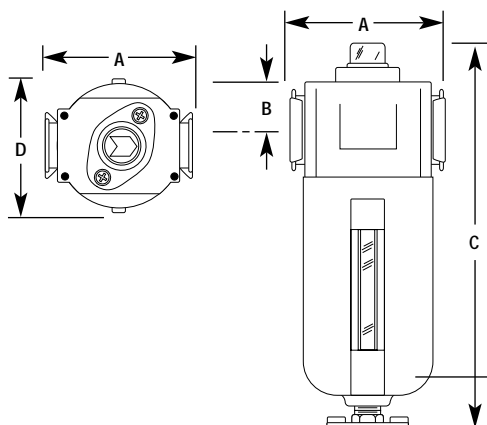
F Internal float drain F552FW

For Metal Bowl without sight delete W

PERFORMANCE CHARACTERISTICS



A. F552
 B. F553
 F554



DIMENSIONS

PIPE SIZE	MODEL NO.	MAX. FLOW SCFM*	BOWL CAPACITY	DIMENSIONS (INCHES)				WEIGHT (LBS.)
				A	B	C	D	
1/4"	F552W	24	6 oz.	2 ³ / ₄	3/4	7 ⁵ / ₈	2 ¹ / ₂	1.7
3/8"	F553W	37	6 oz.	2 ³ / ₄	3/4	7 ⁵ / ₈	2 ¹ / ₂	1.7
1/2"	F554W	37	6 oz.	2 ³ / ₄	3/4	7 ⁵ / ₈	2 ¹ / ₂	1.7

* Flow scfm based on 2.5 psi Δ p @ 100 psig inlet.

MidFlow Coalescing Filters



SPECIFICATIONS

Metal Bowl

- Zinc, black coated
- Max. pressure 250 psig
- Operating temperature range 40°F to 200°F

Metal Bowl with Sight

- Zinc, black coated
- Max. pressure 250 psig
- Operating temperature range 40°F to 160°F

Internal Float Drain Note: limits bowl temperature and pressure ratings

- Operating pressure range 30 to 175 psig
- Operating temperature range 40°F to 120°F

Body Black coated aluminum

Baffle plastic

Seals Buna N

Elements

- .03 micron borosilicate glass fiber
D.O.P. Efficiency: 99.97%, Particle size removal, Remaining oil content by wt.: .015 PPM

- .01 micron borosilicate glass fiber, D.O.P. Efficiency: 99.999%, Particle size removal, Remaining oil content by wt.: .0005 PPM

KITS

- Internal float drain kit 5200
- Overnight Metal (K) CKFK

Bowl Kits

- 10 oz. with sight BKF47W
- 10 oz. without sight. BKF47M
- 20 oz. with sight BKF48W
- 20 oz. without sight BKF48M

Element Kits

- .03 micron EK57
Clear net no color EK58
- .01 micron EK57A
Red net or dot EK58A

Repair Kits

- Repair kit RKF47, RKF48
- Replacement sight kit WK37
- Indicator Pop-up kit DPK-05

Mounting Kit see page 65

- Mounting kit FBK7

FEATURES

- .03 micron fiber element
- Pop-up indicator indicates abnormal condition such as plugged element or excessive flow. Critical protection requires changing element at regular intervals.
- Low pressure drop
- 10 oz. or 20 oz. black coated metal bowl with liquid level sight
- Manual drain

OPTIONS

add suffix to part number in alpha order

A .01 micron element F573AW

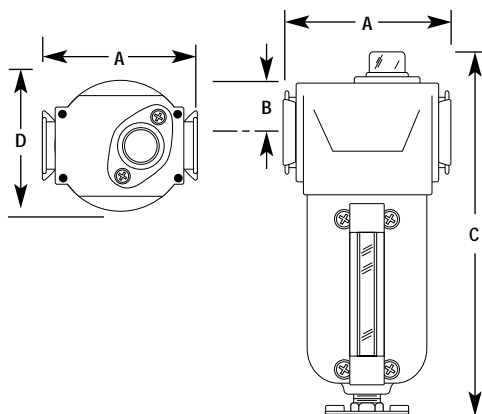
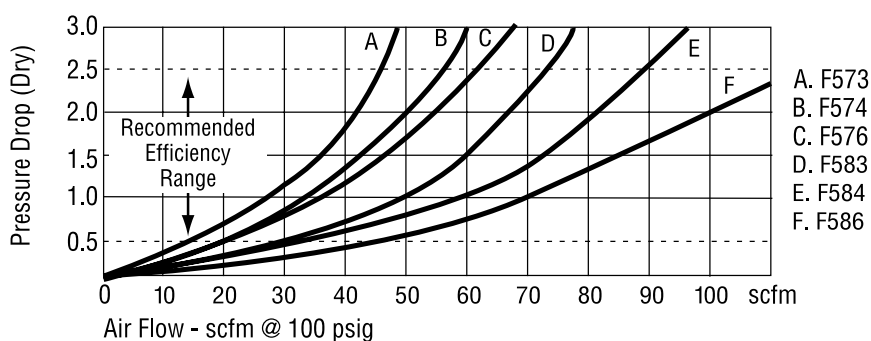
Float Drain

F Internal float drain F573FW

K Overnight drain F573KW

M Black coated metal bowl F573M

PERFORMANCE CHARACTERISTICS



DIMENSIONS

PIPE SIZE	MODEL NO.	MAX. FLOW SCFM*	BOWL CAPACITY	DIMENSIONS (INCHES)				WEIGHT (LBS.)
				A	B	C	D	
3/8"	F573W	48	10	3 3/4	1 1/8	8 1/4	3	2.7
3/8"	F583W	72	20	3 3/4	1 1/8	11 1/2	3	3.6
1/2"	F574W	55	10	3 3/4	1 1/8	8 1/4	3	2.7
1/2"	F584W	90	20	3 3/4	1 1/8	11 1/2	3	3.6
3/4"	F576W	60	10	3 3/4	1 1/8	8 1/4	3	2.7
3/4"	F586W	110	20	3 3/4	1 1/8	11 1/2	3	3.6

* Flow scfm based on 2.5 psi Δ p @ 100 psig inlet.

High Flow Coalescing Filters



FEATURES

- .03 micron fiber element
- Manual drain
- Low pressure drop

OPTIONS

add suffix to part number in alpha and numeric order

- A .01 micron element F505-06A
- D Differential pressure gauge . . F508-10D

Float Drain

- F Internal float drain F505-06FW

Overnight Drains

An overnight drain operates when a compressed air system is shut down. It clears accumulated condensate from a filter bowl when pressure falls to 3 psig or less. It then closes when pressure rises to 6 psi.

Twist to manually drain F508-08KW

For Metal Bowl without sight delete W

SPECIFICATIONS

Metal Bowl

- Zinc, black coated
- Max. pressure 250 psig
- Operating temperature range 40°F to 200°F

Metal Bowl with sight

- Zinc, black coated
- Max. supply pressure 250 psig
- Operating temperature range 40°F to 160°F

Internal Float Drain

- Buna N float

Note: limits bowl temperature and pressure rating

- Operating pressure range 30 to 175 psig
- Operating temperature range 40°F to 120°F

Body black coated aluminum

Baffle aluminum

Seals Buna N

Elements

- .03 micron borosilicate glass filter
D.O.P. Efficiency: 99.97%, Particle size removal, Remaining oil content by wt.: .015 PPM
- .01 micron borosilicate glass filter
D.O.P. Efficiency: 99.999%, Particle size removal, Remaining oil content by wt.: .0005 PPM

KITS

- Internal float drain kit 5200
- Overnight Drain Kit (K) CKFK

Bowl Kits

- Metal with sight F505 BKF329W
- Metal without sight F505 BKF329M
- Metal with sight F508 BKF364W
- Metal without sight F508 BKF364M

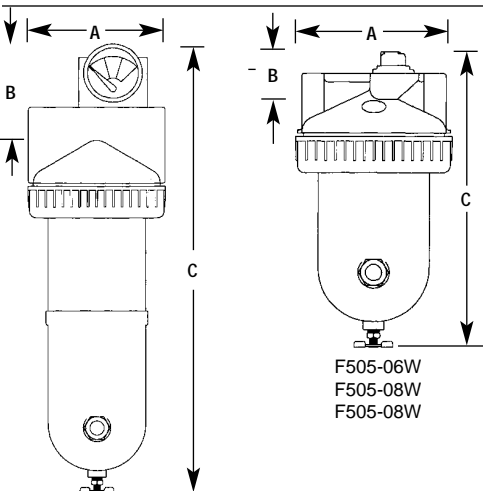
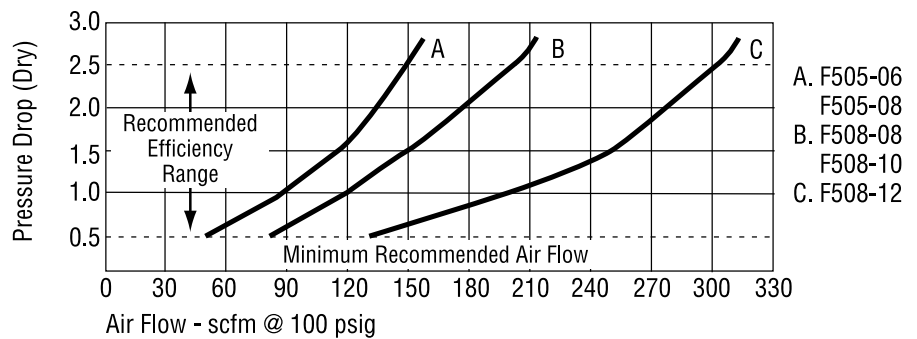
Element Kits

- .03 micron 505 (Clear net) EKF505
- .01 micron 505 (Red net) EKF505A
- .03 micron 508 (Clear net) EKF508
- .01 micron 508 (Red net) EKF508A

Repair Kits

- Repair kit 505 RKF505
- Repair kit 508 RKF508
- Replacement sight kit WK35

PERFORMANCE CHARACTERISTICS



F508-10DW, F508-12DW

DIMENSIONS

PIPE SIZE	MODEL NO.	BOWL CAPACITY	MAX. FLOW SCFM*	DIMENSIONS (INCHES)			WEIGHT (LBS.)
				A	B	C	
3/4"	F505-06W	29 oz.	185	4 ⁷ / ₈	1 ³ / ₁₆	9 ¹³ / ₃₂	3.7
1"	F505-08W	29 oz.	185	4 ⁷ / ₈	1 ³ / ₁₆	9 ¹³ / ₃₂	3.7
1"	F508-08W	60 oz.	300	4 ⁷ / ₈	1 ³ / ₁₆	14 ¹³ / ₃₂	6.0
1 ¹ / ₄ "	F508-10W	60 oz.	300	5 ⁵ / ₃₂	3 ³ / ₄	16 ³ / ₄	6.3
1 ¹ / ₂ "	F508-12W	60 oz.	400	5 ⁵ / ₃₂	3 ³ / ₄	16 ³ / ₄	6.3

* Flow scfm based on 2.5 psi Δ p @ 100 psig inlet.

High Flow Coalescing Filters



Gauge Optional

FEATURES

- .03 micron fiber element
- Low pressure drop
- Manual drain

OPTIONS

add suffix to part number in alpha order

- A** .01 micron element F510-08A
- D** Differential pressure gauge . . F510-08D
- T** External Float Drain F510-08T
- W** Metal bowl
with sight glass F510-08W

SPECIFICATIONS

Metal Bowl

- Black coated aluminum
- Max. pressure 250 psig
- Operating temperature range 40°F to 200°F

Metal Bowl with Sight

- Black coated aluminum
- Max. pressure 250 psig
- Operating temperature range 40°F to 160°F

Body Black coated aluminum

Baffle plastic

Seals Buna N

Elements

- .03 micron borosilicate glass fiber
D.O.P. Efficiency: 99.97%, Particle size removal, Remaining oil content by wt.: .015 PPM
- .01 micron borosilicate glass fiber
D.O.P. Efficiency: 99.999%, Particle size removal, Remaining oil content by wt.: .0005 PPM

KITS

- Float for External Drain5200

Bowl Kit

- Metal with sight BKF510W
- Metal without sight BKF510
- Metal with sight BKF518W
- Metal without sight BKF518
- Metal with sight BKF528W
- Metal without sight BKF528

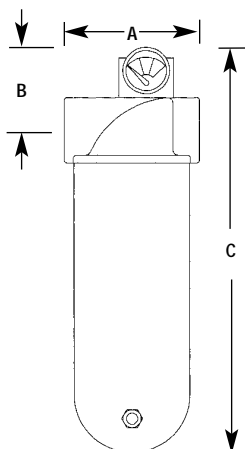
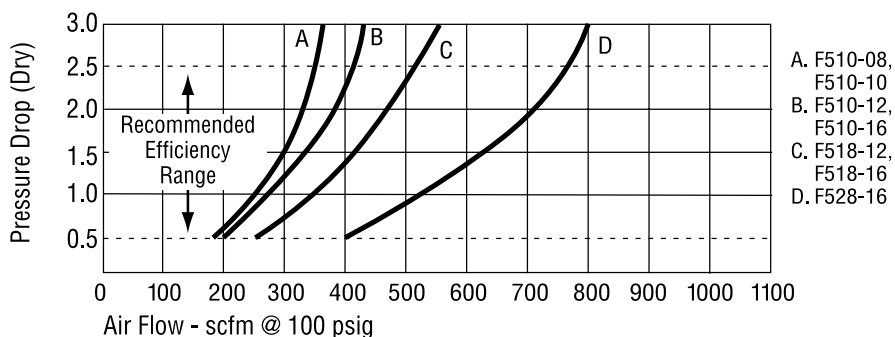
Element Kits

- .03 micron EKF510,
Clear net no color EKF518, EKF528
- .01 micron EKF510A,
Red net or dot EKF518A, EKF528A

Repair Kits

- Repair kit RKF511, RKF519,
RKF529
- Replacement sight kit BSF510

PERFORMANCE CHARACTERISTICS



DIMENSIONS

PIPE SIZE	MODEL NO.	BOWL CAPACITY	MAX. FLOW SCFM*	DIMENSIONS (INCHES)			WEIGHT (LBS.)
				A	B	C	
1"	F510-08	100 oz.	310	6½	2	21	16
1¼"	F510-10	100 oz.	310	6½	2	21	16
1½"	F510-12	100 oz.	415	6½	2	21	16
1½"	F518-12	200 oz.	515	6½	2	28¾	19
2"	F510-16	100 oz.	415	6½	2	21	16
2"	F518-16	200 oz.	515	6½	2	28¾	19
2"	F528-16	300 oz.	765	6½	2	39	23

* Flow scfm based on 2.5 psi Δ p @ 100 psig inlet.

High Flow Coalescing Filters



Gauge Optional

FEATURES

- .03 micron fiber element
- Low pressure drop
- Manual drain

OPTIONS

add suffix to part number in alpha order
A .01 micron element F511-24A
D Differential pressure gauge . . . F511-24D
T External Float Drain F511-24T
W Metal bowl
 with sight glass F511-24W

SPECIFICATIONS

- Metal Bowl**
- Black coated aluminum
 - Max. pressure 250 psig
 - Operating temperature range 40°F to 200°F
- Metal Bowl with Sight**
- Black coated aluminum
 - Max. pressure 250 psig
 - Operating temperature range 40°F to 160°F
- Body** Black coated aluminum
Baffle plastic
Seals Buna N

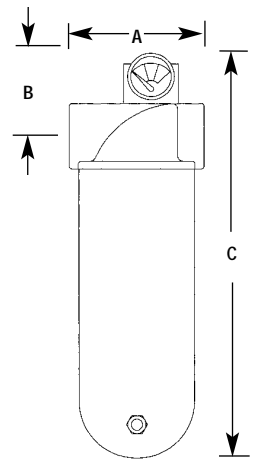
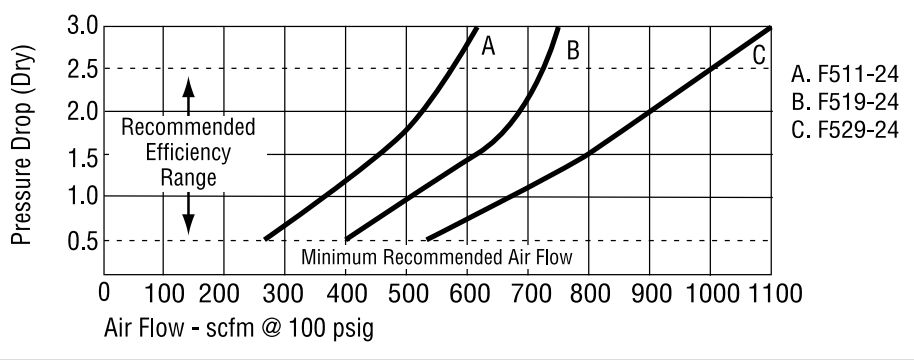
Elements

- .03 micron borosilicate glass fiber
 D.O.P. Efficiency: 99.97%, Particle size removal, Remaining oil content by wt.: .015 PPM
- .01 micron borosilicate glass fiber
 D.O.P. Efficiency: 99.999%, Particle size removal, Remaining oil content by wt.: .0005 PPM

KITS

- Float for External Drain5200
- Bowl Kits**
- Metal with sight BKF510W
 - Metal without sight BKF510
 - Metal with sight BKF518W
 - Metal without sight BKF518
 - Metal with sight BKF529W
 - Metal without sight BKF529
- Element Kits**
- .03 micron EKF511
 Clear net no color EKF519
 EKF529
 - .01 micron EKF511A
 Red net or dot EKF519A
 EKF529A
- Repair Kits**
- Repair kit RKF511
 RKF519
 RKF529
 - Replacement sight kit BSF510

PERFORMANCE CHARACTERISTICS



DIMENSIONS

PIPE SIZE	MODEL NO.	BOWL CAPACITY	MAX. FLOW SCFM*	DIMENSIONS (INCHES)			WEIGHT (LBS.)
				A	B	C**	
3"	F511-24	100 oz.	620	7 ⁵ / ₈	2 ¹ / ₄	22 ¹¹ / ₁₆	21
3"	F519-24	200 oz.	770	7 ⁵ / ₈	2 ¹ / ₄	31 ³ / ₁₆	24
3"	F529-24	300 oz.	1100	7 ⁵ / ₈	2 ¹ / ₄	41 ⁷ / ₁₆	28

* Flow scfm based on 2.5 psi Δ p @ 100 psig inlet.

** Add 3/4" to height (c) if ordered with gauge

Tri•Star Adsorber Filters



SPECIFICATIONS

Metal Bowl

- Zinc, black coated
- Max. pressure 250 psig
- Operating temperature range 40°F to 200°F

Metal Bowl with Sight

- Zinc black coated
- Max. pressure 250 psig
- Operating temperature range 40°F to 160°F

Element

- Multi-wrapped layers of impregnated activated charcoal particles to increase purification qualities. If the compressed air has been prepared by a suitable refrigerated dryer and F5A Oilesco filter, the F6 Absorber will insure oil concentrations of .0015 PPM by weight. In all cases, an F5 Oilesco must precede an F6 Absorber. To prevent any particle migration downstream an F3 with 3 micron element should be installed

downstream for total system protection.

Body Black coated aluminum

Baffle plastic

Seals Buna N

Bowl Kits

- Metal bowl without sight BKF45M
- Metal bowl with sight BKF45W

Element Kits

- Charcoal wrapped 2-pack EK65
- Clear net no color

Repair Kits

- Repair kit RKF45
- Replacement sight kit WK35
- Indicator Pop-up kit DPK-05

Mounting Kit see page 65

- Mounting kit FBK5

APPLICATIONS

- Food plants
- Pharmaceutical
- Instrumentation

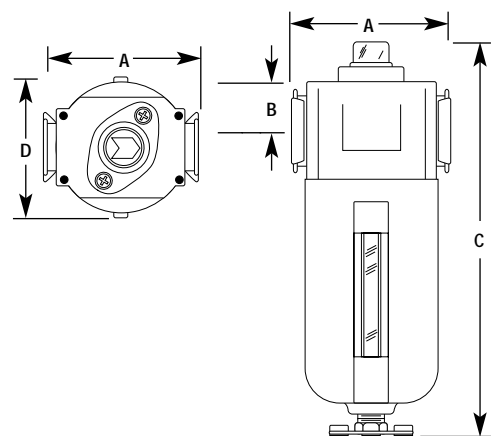
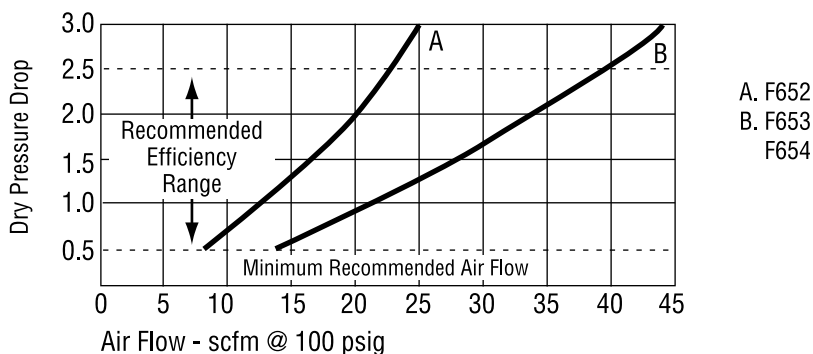
FEATURES

- Protects end processes from gaseous oil contamination and rids compressed air of offensive oily odors
- Removes hydrocarbons for use in analytical instruments
- Low pressure drop
- Pop-up indicator indicates abnormal condition such as plugged element or excessive flow. Critical protection requires changing element at regular intervals.
- 6 oz. black coated metal bowl with liquid level sight
- Black coated aluminum housing
- Manual drain
- In-line or modular installation

OPTIONS

For Metal Bowl without sight delete W

PERFORMANCE CHARACTERISTICS



DIMENSIONS

PIPE SIZE	MODEL NO.	MAX. FLOW SCFM*	BOWL CAPACITY	DIMENSIONS (INCHES)				WEIGHT (LBS.)
				A	B	C	D	
1/4"	F652W	24	6 oz.	2 ³ / ₄	3/4	7 ⁵ / ₈	2 ¹ / ₂	1.7
3/8"	F653W	37	6 oz.	2 ³ / ₄	3/4	7 ⁵ / ₈	2 ¹ / ₂	1.7
1/2"	F654W	37	6 oz.	2 ³ / ₄	3/4	7 ⁵ / ₈	2 ¹ / ₂	1.7

* Flow scfm based on 2.5 psi Δ p @ 100 psig inlet.

MidFlow Adsorber Filters



SPECIFICATIONS

Metal Bowl

- Zinc black coated
- Max. pressure 250 psig
- Operating temperature range 40°F to 200°F

Metal Bowl with Sight

- Zinc black coated
- Max. pressure 250 psig
- Operating temperature range 40°F to 160°F

Element

- Multi-wrapped layers of impregnated activated charcoal particles to increase purification qualities. If the compressed air has been prepared by a suitable refrigerated dryer and F5A Oilesco filter, the F6 Absorber will insure oil concentrations of .0015 PPM by weight. In all cases, an F5 Oilesco must precede an F6 Absorber. To prevent any particle migration downstream an F3 with 3 micron element should be installed downstream for total system protection.

Body Black coated aluminum

Baffle plastic

Seals Buna N

Bowl Kits

- Metal bowl without sight BKF47M
- Metal bowl with sight BKF47W

Element Kits

- Charcoal wrapped 2-pack EK67, EK68
- Clear net no color

Repair Kits

- Repair kit RKF47, RKF48
- Replacement sight kit WK37
- Indicator Pop-up kit DPK-05

Mounting Kit see page 65

- Mounting kit FBK7

APPLICATIONS

- Food plants
- Pharmaceutical
- Instrumentation

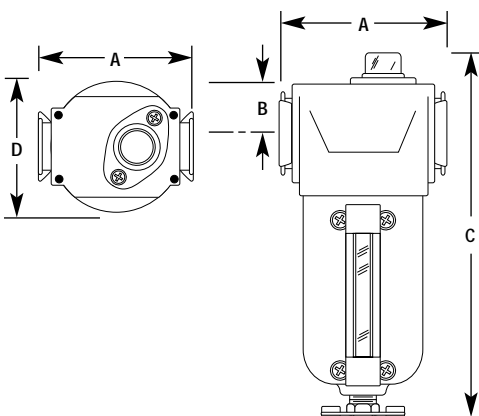
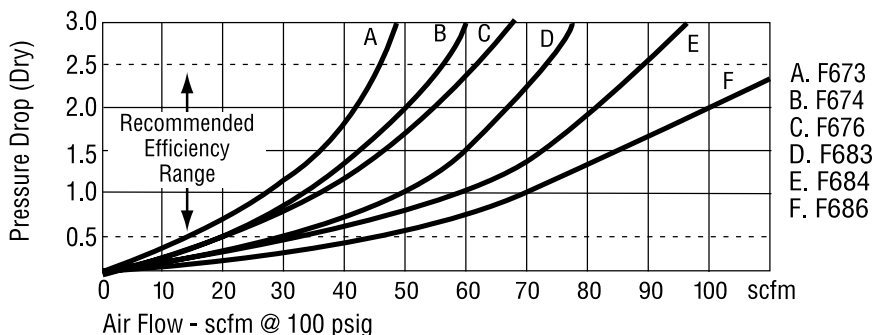
FEATURES

- Protects end processes from gaseous oil contamination and rids compressed air of offensive oily odors
- Removes hydrocarbons for use in analytical instruments
- Low pressure drop
- Pop-up indicator indicates abnormal condition such as plugged element or excessive flow. Critical protection requires changing element at regular intervals.
- 10 oz./20 oz. black coated metal bowl with liquid level sight
- Black coated aluminum housing
- Manual drain

OPTIONS

add suffix to part number in alpha order
M Metal bowl
 without sight glass F673M

PERFORMANCE CHARACTERISTICS



DIMENSIONS

PIPE SIZE	MODEL NO.	MAX. FLOW SCFM*	BOWL CAPACITY	DIMENSIONS (INCHES)				WEIGHT (LBS.)
				A	B	C	D	
3/8"	F673W	48	10 oz.	3 3/4	1 1/8	8 1/4	3	2.7
3/8"	F683W	72	20 oz.	3 3/4	1 1/8	11 1/2	3	3.8
1/2"	F674W	56	10 oz.	3 3/4	1 1/8	8 1/4	3	2.7
1/2"	F684W	90	20 oz.	3 3/4	1 1/8	11 1/2	3	3.8
3/4"	F676W	60	10 oz.	3 3/4	1 1/8	8 1/4	3	2.7
3/4"	F686W	110	20 oz.	3 3/4	1 1/8	11 1/2	3	3.8

* Flow scfm based on 2.5 psi Δ p @ 100 psig inlet.

High Flow Adsorber Filters



SPECIFICATIONS

Metal Bowl

- Steel, black coated
- Max. pressure 250 psig
- Operating temperature range 40°F to 200°F

Metal Bowl with sight

- Steel, black coated
- Max. pressure 250 psig
- Operating temperature range 40°F to 160°F

Element

- Multi-wrapped layers of impregnated activated charcoal particles to increase purification qualities. If the compressed air has been prepared by a suitable refrigerated dryer and F5A Oilesco filter, the F6 Absorber will insure oil concentrations of .0015 PPM by weight. In all cases, an F5 Oilesco must precede an F6 Absorber. To prevent any particle migration downstream an F3 with 3 micron element should be installed downstream for total system protection.

Body Black coated aluminum
(Note: F608 Series blue aluminum)
Baffle aluminum
Seals Buna N

Bowl Kits

- Metal bowl with sight BKF329W
- Metal bowl without sight BKF329M
- Metal bowl with sight BKF364W
- Metal bowl without sight BKF364

Element Kits

- Charcoal wrapped 605 EKF605
Clear net no color
- Charcoal wrapped 608 EKF608

Repair Kit

- Repair kit RKF505
RKF508
- Replacement sight kit WK35

APPLICATIONS

- Food plants
- Pharmaceutical
- Instrumentation

FEATURES

- Protects end processes from gaseous oil contamination and rids compressed air of offensive oily odors
- Removes hydrocarbons for use in analytical instruments
- Low pressure drop
- Black coated bowl
- Manual drain

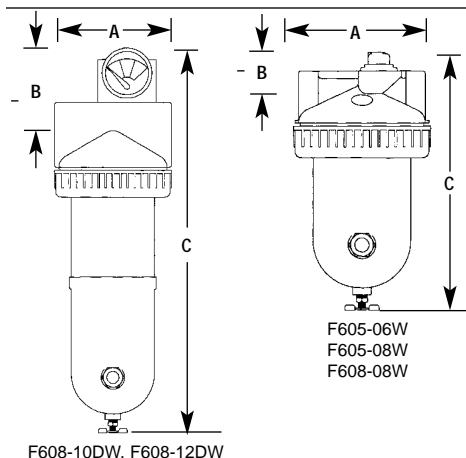
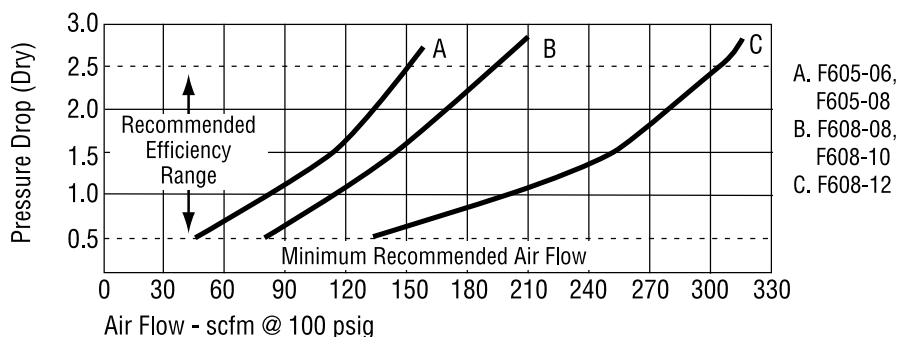
OPTIONS

add suffix to part number in alpha order

D Differential pressure gauge . . F608-10D

For Metal Bowl without sight delete W

PERFORMANCE CHARACTERISTICS



DIMENSIONS

PIPE SIZE	MODEL NO.	BOWL CAPACITY	MAX. FLOW SCFM*	DIMENSIONS (INCHES)			WEIGHT (LBS.)
				A	B	C	
3/4"	F605-06W	29 oz.	185	4 7/8	1 3/16	9 13/32	3.7
1"	F605-08W	29 oz.	185	4 7/8	1 3/16	9 13/32	3.7
1"	F608-08W	60 oz.	300	4 7/8	1 3/16	14 13/32	6.0
1 1/4"	F608-10W	60 oz.	300	5 1/4	1 1/2	16 3/4	6.3
1 1/2"	F608-12W	60 oz.	400	5 1/4	1 1/2	16 3/4	6.3

* Flow scfm based on 2.5 psi Δ p @ 100 psig inlet.

High Flow Adsorber Filters



Gauge Optional

FEATURES

- Protects end processes from gaseous oil contamination and rids compressed air of offensive oily odors
- Removes hydrocarbons for use in analytical instruments
- Low pressure drop
- Manual drain

OPTIONS

add suffix to part number in alpha order

- D Differential pressure gauge . . . F610-10D
- T External Float Drain F610-10T
- W Metal bowl
with sight glass F610-10W

SPECIFICATIONS

Metal Bowl

- Black coated aluminum
- Max. pressure 250 psig
- Operating temperature range 40°F to 200°F

Metal Bowl with Sight

- Black coated aluminum
- Max. pressure 250 psig
- Operating temperature range 40°F to 160°F

Body Black coated aluminum

Baffle plastic

Seals Buna N

Element

- Multi-wrapped layers of impregnated activated charcoal particles to increase purification qualities. If the compressed air has been prepared by a suitable refrigerated dryer and F5A Oilesceer filter, the F6 Absorber will insure oil concentrations of .0015 PPM by weight. In all cases, an F5 Oilesceer must precede an F6 Absorber. To prevent any particle migration downstream an F3 with 3 micron element should be installed downstream for total system protection.

KITS

- Float for External Drain5200

Bowl Kits

- Metal bowl with sight BKF510W
- Metal bowl without sight BKF510M
- Metal bowl with sight BKF518W
- Metal bowl without sight BKF518M
- Metal bowl with sight BKF528W
- Metal bowl without sight BKF528M

Element Kits

- Charcoal wrapped 2-pack EKF610, EKF618,
- Clear net no color EKF628

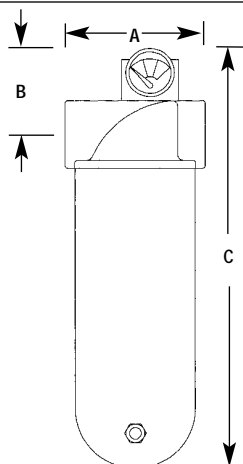
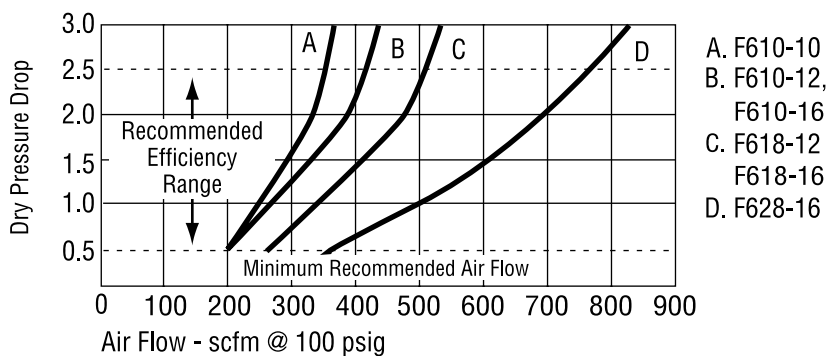
Repair Kits

- Repair kit RKF511
RKF519
RKF529
- Replacement sight kit BSF510

APPLICATIONS

- Food plants
- Pharmaceutical
- Instrumentation

PERFORMANCE CHARACTERISTICS



DIMENSIONS

PIPE SIZE	MODEL NO.	BOWL CAPACITY	MAX. FLOW SCFM*	DIMENSIONS (INCHES)			WEIGHT (LBS.)
				A	B	C	
1"	F610-08	100 oz.	420	6½	2	21	16
1¼"	F610-10	100 oz.	420	6½	2	21	16
1½"	F610-12	100 oz.	475	6½	2	21	16
1½"	F618-12	200 oz.	590	6½	2	28¾	19
2"	F610-16	100 oz.	475	6½	2	21	16
2"	F618-16	200 oz.	590	6½	2	28¾	19
2"	F628-16	300 oz.	840	6½	2	39	23

* Flow scfm based on 2.5 psi Δ p @ 100 psig inlet.

High Flow Adsorber Filters



Gauge Optional

FEATURES

- Protects end processes from gaseous oil contamination and rids compressed air of offensive oily odors
- Removes hydrocarbons for use in analytical instruments
- Low pressure drop
- Manual drain

OPTIONS

add suffix to part number in alpha order

D Differential pressure gauge . . . F611-24D

T External Float Drain F611-24T

W Metal bowl
with sight glass F611-24W

SPECIFICATIONS

Metal Bowl

- Black coated aluminum
- Max. pressure 250 psig
- Operating temperature range 40°F to 200°F

Metal Bowl with Sight

- Black coated aluminum
- Max. pressure 250 psig
- Operating temperature range 40°F to 160°F

Body Black coated aluminum

Baffle plastic

Seals Buna N

Element

- Multi-wrapped layers of impregnated activated charcoal particles to increase purification qualities. If the compressed air has been prepared by a suitable refrigerated dryer and F5A Oilesco filter, the F6 Absorber will insure oil concentrations of .0015 PPM by weight. In all cases, an F5 Oilesco must precede an F6 Absorber. To prevent any particle migration downstream an F3 with 3 micron element should be installed downstream for total system protection.

KITS

- Float for External Drain5200

Bowl Kits

- Metal bowl with sight BKF510W
- Metal bowl without sight BKF510M
- Metal bowl with sight BKF518W
- Metal bowl without sight BKF518M
- Metal bowl with sight BKF528W
- Metal bowl without sight BKF528M

Element Kits

- Charcoal wrapped 2-pack EKF611, EKF619, Clear net no color EKF629

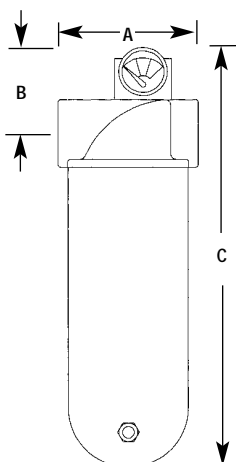
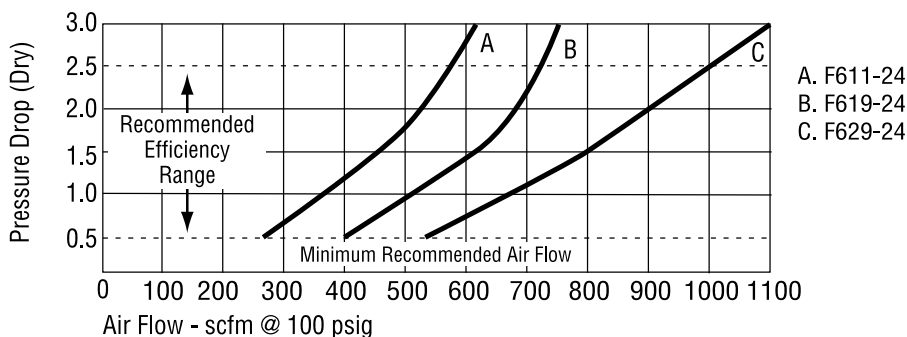
Repair Kits

- Repair kit RKF511 RKF519 RKF529
- Replacement sight kit BSF510

APPLICATIONS

- Food plants
- Pharmaceutical
- Instrumentation

PERFORMANCE CHARACTERISTICS



DIMENSIONS

PIPE SIZE	MODEL NO.	BOWL CAPACITY	MAX. FLOW SCFM*	DIMENSIONS (INCHES)			WEIGHT (LBS.)
				A	B	C	
3"	F611-24	100 oz.	620	7 ⁵ / ₈	2 ¹ / ₄	22 ¹¹ / ₁₆	21
3"	F619-24	200 oz.	770	7 ⁵ / ₈	2 ¹ / ₄	31 ³ / ₁₆	24
3"	F629-24	300 oz.	1100	7 ⁵ / ₈	2 ¹ / ₄	41 ⁷ / ₁₆	28

* Flow scfm based on 2.5 psi Δ p @ 100 psig inlet.

Tri•Star Oil Removing Filters



SPECIFICATIONS

Metal Bowl

- Zinc, black coated
- Max. supply pressure 250 psig
- Operating temperature range 40°F to 200°F

Metal Bowl with Sight

- Zinc, black coated
- Max. supply pressure 250 psig
- Operating temperature range 40°F to 160°F

Internal Float Drain Note: limits bowl temperature and pressure rating.

- Operating pressure range 30 to 175 psig
- Operating temperature range 40°F to 120°F

Element

- .9 micron borosilicate glass fiber
D.O.P. Efficiency: 95%, Particle size removal, Remaining oil content by wt.: 2.5 PPM

Body black coated aluminum

Baffle plastic

Seals Buna N

KITS

- Internal float drain. 5200

Bowl Kits

- Metal bowl without sight BKF45M
- Metal bowl with sight BKF45W

Element Kit

- .9 micron 2-pack. EK45
Orange netting or dot

Repair Kits

- Repair kit RKF45
- Replacement sight kit WK45
- Indicator pop-up kit DPK-05

Mounting Kit see page 65

- Mounting kit FBK5

FEATURES

- .9 micron element
- Low pressure drop
- Long element life
- Pop-up indicator indicates abnormal condition such as plugged element or excessive flow. Critical protection requires changing element at regular intervals.
- 6 oz. black coated metal bowl with liquid level sight
- Manual drain
- In-line or modular installation

OPTIONS

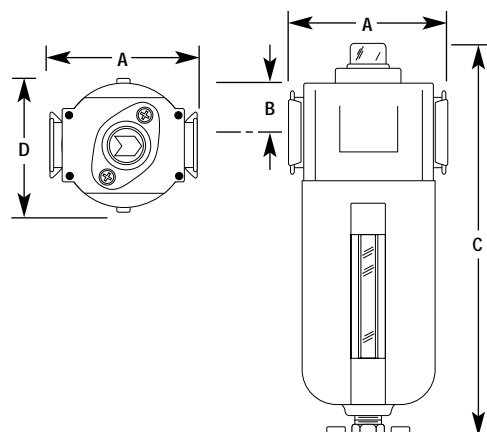
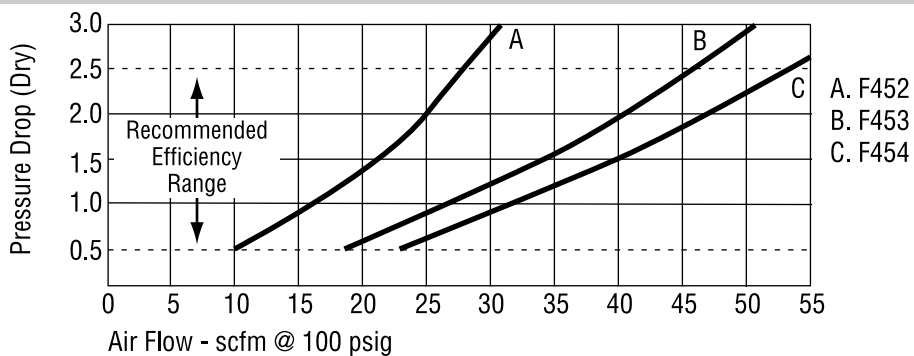
add suffix to part number in alpha order

Float Drain

F Internal float drain F452FW

For Metal Bowl without sight delete W

PERFORMANCE CHARACTERISTICS



DIMENSIONS

PIPE SIZE	MODEL NO.	MAX. FLOW SCFM*	BOWL CAPACITY	DIMENSIONS (INCHES)				WEIGHT (LBS.)
				A	B	C	D	
1/4"	F452W	27	6 oz.	2 ³ / ₄	3/4	7 ⁵ / ₈	2 ¹ / ₂	1.7
3/8"	F453W	45	6 oz.	2 ³ / ₄	3/4	7 ⁵ / ₈	2 ¹ / ₂	1.7
1/2"	F454W	53	6 oz.	2 ³ / ₄	3/4	7 ⁵ / ₈	2 ¹ / ₂	1.7

* Flow scfm based on 2.5 psi Δ p @ 100 psig inlet.

MidFlow Oil Removing Filters



SPECIFICATIONS

Metal Bowl

- Zinc, black coated
- Max. supply pressure 250 psig
- Operating temperature range 40°F to 200°F

Metal Bowl with Sight

- Zinc, black coated
- Max. supply pressure 250 psig
- Operating temperature range 40°F to 160°F

Internal Float Drain

Note: limits bowl temperature and pressure rating.

- Operating pressure range 30 to 175 psig
- Operating temperature range 40°F to 120°F

Body black coated aluminum

Baffle plastic

Seals Buna N

Elements

- .9 micron borosilicate glass filter
D.O.P. Efficiency: 95%, Particle size removal, Remaining oil content by wt.: 2.5 PPM

KITS

- Internal float drain 5200

Bowl Kits

- 10 oz. with sight BKF47W
- 10 oz. without sight BKF47M
- 20 oz. with sight BKF48W
- 20 oz. without sight BKF48M

Element Kits

- .9 micron EK47
- Orange netting or dot EK48

Repair Kits

- Repair kit RKF47
- RKF48
- Replacement sight kit WK47
- Indicator pop-up kit DPK-05

Mounting Kit see page 65

- Mounting kit FBK7

FEATURES

- .9 micron element
- Low pressure drop
- Long element life
- Pop-up indicator indicates abnormal condition such as plugged element or excessive flow. Critical protection requires changing element at regular intervals.
- 10 oz. or 20 oz. black coated metal bowl with liquid level sight
- Manual twist drain

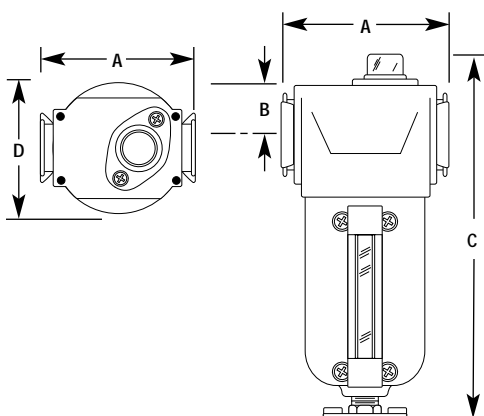
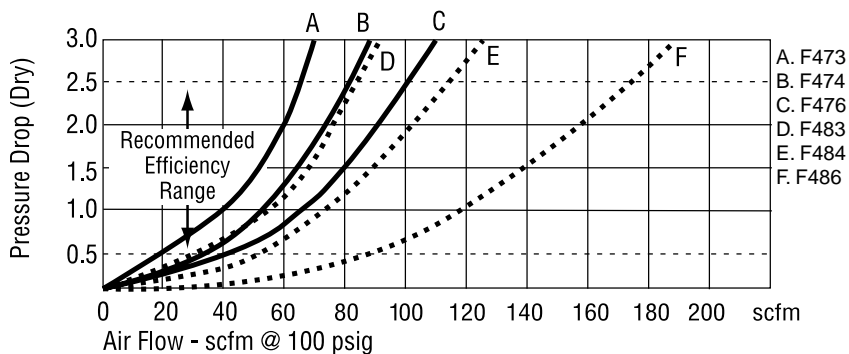
OPTIONS

add suffix to part number in alpha order

Float Drain

- F Internal float drain F473FW
- M Metal bowl without sight glass F473M

PERFORMANCE CHARACTERISTICS



DIMENSIONS

PIPE SIZE	MODEL NO.	MAX. FLOW SCFM*	BOWL CAPACITY	DIMENSIONS (INCHES)				WEIGHT (LBS.)
				A	B	C	D	
3/8"	F473W	66	10 oz.	3 3/4	1 1/8	8 1/4	3	2.7
3/8"	F483W	84	20 oz.	3 3/4	1 1/8	11 1/2	3	3.6
1/2"	F474W	83	10 oz.	3 3/4	1 1/8	8 1/4	3	2.7
1/2"	F484W	116	20 oz.	3 3/4	1 1/8	11 1/2	3	3.6
3/4"	F476W	98	10 oz.	3 3/4	1 1/8	8 1/4	3	2.7
3/4"	F486W	172	20 oz.	3 3/4	1 1/8	11 1/2	3	3.6

* Flow scfm based on 2.5 psi Δ p @ 100 psig inlet.

High Flow Oil Removing Filters



SPECIFICATIONS

Metal Bowl

- Steel, black coated
- Max. supply pressure 250 psig
- Operating temperature range 40°F to 200°F

Metal Bowl with sight

- Steel, black coated
- Max. supply pressure 250 psig
- Operating temperature range 40°F to 160°F

Internal Float Drain

- Buna N float
- Note: limits bowl temperature and pressure rating
- Operating pressure range 30 to 175 psig
 - Operating temperature range 40°F to 120°F

Body black coated aluminum

Baffle aluminum

Seals Buna N

Elements

- .9 micron borosilicate glass fiber
- D.O.P. Efficiency: 95%, Particle size removal, Remaining oil content by wt.: 2.5 PPM

KITS

- Internal float drain kit 5200

Bowl Kits

- Metal with sight F405 BKF329W
- Metal without sight F405 BKF329M
- Metal with sight F408 BKF364W
- Metal without sight F408 BKF364M

Element Kits

- .9 micron F405 EKF405
 - .9 micron F408 EKF408
- Orange netting or dot

Repair Kits

- Repair kit RKF505
- Repair kit RKF508
- Replacement sight kit 405 WK35
- Replacement sight kit 408 WK35

FEATURES

- .9 micron element
- Manual twist drain
- Low pressure drop
- Long element life

OPTIONS

add suffix to part number in alpha and numeric order

D Differential pressure gauge . F408-10D

Float Drain

An internal float rises as condensate accumulates in a filter bowl to activate the drain.

F Internal float drain F405-06FW
F408-08FW

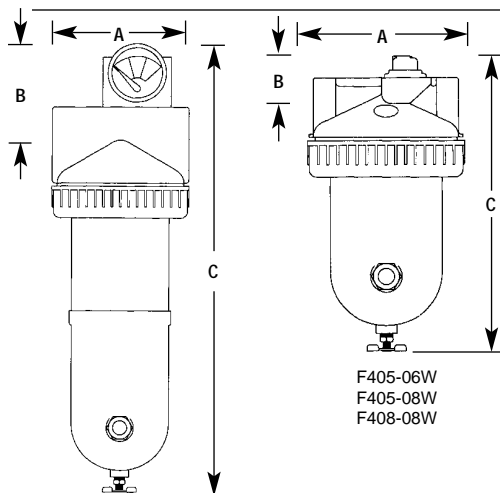
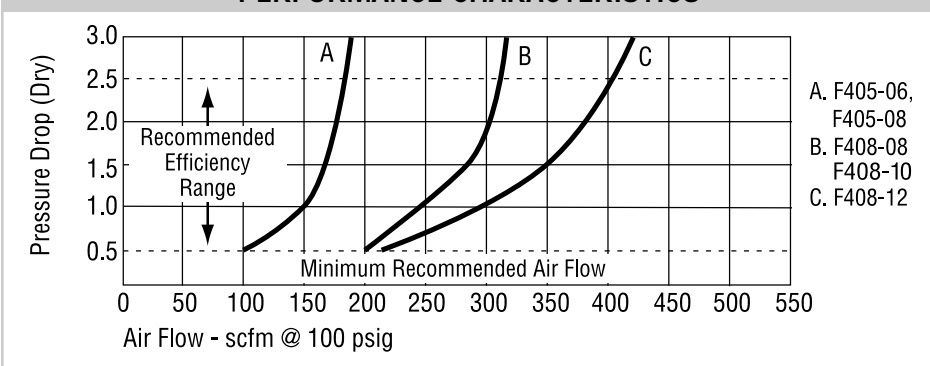
Overnight Drains

An overnight drain operates when a compressed air system is shut down. It clears accumulated condensate from a filter bowl when pressure falls to 3 psig or less. It then closes when pressure rises to 6 psi

twist to manually drain F408-08KW

For Metal Bowl without sight delete W

PERFORMANCE CHARACTERISTICS



DIMENSIONS

PIPE SIZE	MODEL NO.	BOWL CAPACITY	MAX. FLOW SCFM*	DIMENSIONS (INCHES)			WEIGHT (LBS.)
				A	B	C	
3/4"	F405-06W	29 oz.	185	4 ⁷ / ₈	1 ³ / ₁₆	9 ¹³ / ₃₂	3.7
1"	F405-08W	29 oz.	185	4 ⁷ / ₈	1 ³ / ₁₆	9 ¹³ / ₃₂	3.7
1"	F408-08W	60 oz.	300	4 ⁷ / ₈	1 ³ / ₁₆	14 ¹³ / ₃₂	6.0
1 ¹ / ₄ "	F408-10DW	60 oz.	300	5 ⁵ / ₃₂	3 ³ / ₄	16 ³ / ₄	6.3
1 ¹ / ₂ "	F408-12DW	60 oz.	400	5 ⁵ / ₃₂	3 ³ / ₄	16 ³ / ₄	6.3

* Flow scfm based on 2.5 psi Δ p @ 100 psig inlet.

High Flow Oil Removing Filters



Gauge Optional

FEATURES

- .9 micron element
- Low pressure drop
- Long element life

OPTIONS

add suffix to part number in alpha order

- D Differential pressure gauge . . . F410-08D
- T External Float Drain F410-08T
- W Metal bowl
with sight glass F410-08W

SPECIFICATIONS

Metal Bowl

- Max. supply pressure 250 psig
- Operating temperature range 40°F to 200°F

Metal Bowl with sight

- Black coated Aluminum
- Max. supply pressure 250 psig
- Operating temperature range 40°F to 160°F

Body black coated aluminum

Baffle plastic

Seals Buna N

Element

- .9 micron borosilicate glass filter
D.O.P. Efficiency: 95%, Particle size removal, Remaining oil content by wt.: 2.5 PPM

KITS

- Float for External Drain 5200

Bowl Kits

- Metal without sight F410 BKF510
- Metal with sight F410 BKF510W
- Metal without sight F418 BKF518
- Metal with sight F418 BKF518W
- Metal without sight F428 BKF528
- Metal with sight F428 BKF528W

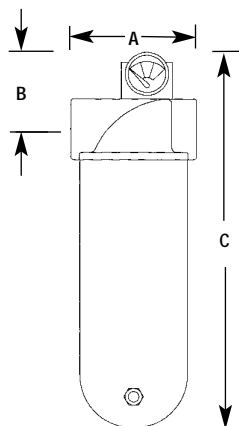
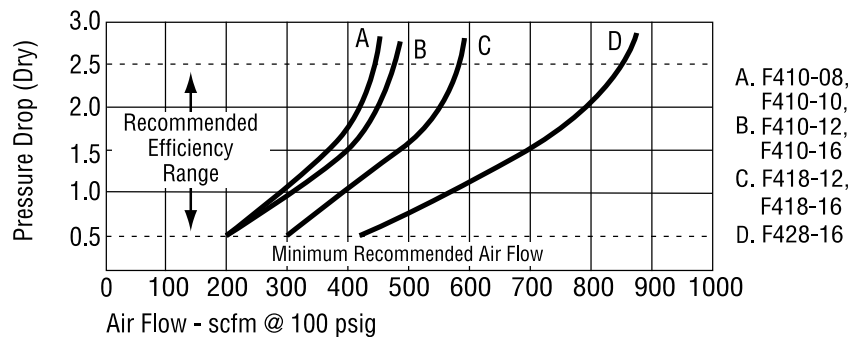
Element Kit

- .9 micron EKF410, EKF418,
Orange netting or dot EKF428

Repair Kits

- Repair kit RKF511
- Replacement sight kit BSF510

PERFORMANCE CHARACTERISTICS



DIMENSIONS

PIPE SIZE	MODEL NO.	BOWL CAPACITY	MAX. FLOW SCFM*	DIMENSIONS (INCHES)			WEIGHT (LBS.)
				A	B	C	
1"	F410-08	100 oz.	420	6½	2	21	16
1¼"	F410-10	100 oz.	420	6½	2	21	16
1½"	F410-12	100 oz.	475	6½	2	21	16
1½"	F418-12	200 oz.	590	6½	2	28¾	19
2"	F410-16	100 oz.	475	6½	2	21	16
2"	F418-16	200 oz.	590	6½	2	28¾	19
2"	F428-16	300 oz.	840	6½	2	39	23

* Flow scfm based on 2.5 psi Δ p @ 100 psig inlet.

High Flow Coalescing Filters



Gauge Optional

FEATURES

- .03 micron fiber element
- Low pressure drop
- Manual drain

OPTIONS

add suffix to part number in alpha order
A .01 micron element F511-24A
D Differential pressure gauge . . . F511-24D
T External Float Drain F511-24T
W Metal bowl
 with sight glass F511-24W

SPECIFICATIONS

- Metal Bowl**
- Black coated aluminum
 - Max. pressure 250 psig
 - Operating temperature range 40°F to 200°F
- Metal Bowl with Sight**
- Black coated aluminum
 - Max. pressure 250 psig
 - Operating temperature range 40°F to 160°F
- Body** Black coated aluminum
Baffle plastic
Seals Buna N

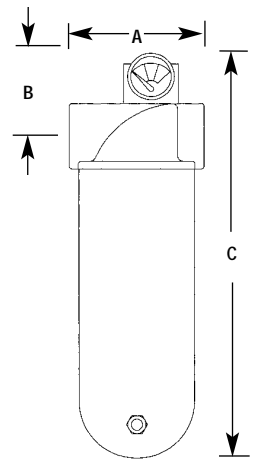
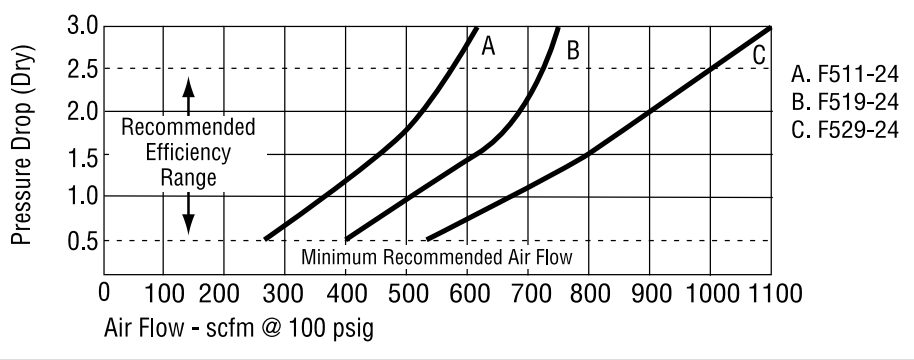
Elements

- .03 micron borosilicate glass fiber
 D.O.P. Efficiency: 99.97%, Particle size removal, Remaining oil content by wt.: .015 PPM
- .01 micron borosilicate glass fiber
 D.O.P. Efficiency: 99.999%, Particle size removal, Remaining oil content by wt.: .0005 PPM

KITS

- Float for External Drain5200
- Bowl Kits**
- Metal with sight BKF510W
 - Metal without sight BKF510
 - Metal with sight BKF518W
 - Metal without sight BKF518
 - Metal with sight BKF529W
 - Metal without sight BKF529
- Element Kits**
- .03 micron EKF511
 - Clear net no color EKF519
 - .01 micron EKF511A
 - Red net or dot EKF519A
 - EKF529A
- Repair Kits**
- Repair kit RKF511
 - RKF519
 - RKF529
 - Replacement sight kit BSF510

PERFORMANCE CHARACTERISTICS



DIMENSIONS

PIPE SIZE	MODEL NO.	BOWL CAPACITY	MAX. FLOW SCFM*	DIMENSIONS (INCHES)			WEIGHT (LBS.)
				A	B	C**	
3"	F511-24	100 oz.	620	7 ⁵ / ₈	2 ¹ / ₄	22 ¹¹ / ₁₆	21
3"	F519-24	200 oz.	770	7 ⁵ / ₈	2 ¹ / ₄	31 ³ / ₁₆	24
3"	F529-24	300 oz.	1100	7 ⁵ / ₈	2 ¹ / ₄	41 ⁷ / ₁₆	28

* Flow scfm based on 2.5 psi Δ p @ 100 psig inlet.

** Add 3/4" to height (c) if ordered with gauge

MidFlow Two-in-One Coalescing Filters



SPECIFICATIONS

Metal Bowl

- Zinc, black coated
- Max. pressure 250 psig
- Operating temperature range 40°F to 200°F

Metal Bowl with Sight

- Zinc, black coated
- Max. pressure 250 psig
- Operating temperature range 40°F to 160°F

Internal Float Drain Note: limits bowl temperature and pressure ratings

- Operating pressure range 30 to 175 psig
- Operating temperature range 40°F to 120°F

Body Black coated aluminum

Baffle plastic

Seals Buna N

Elements

- .03 micron borosilicate glass fiber D.O.P. Efficiency: 99.97%, Particle size removal, Remaining oil content by wt.: .015 PPM with 3 micron absolute protection

KITS

- Internal float drain kit 5200
- Overnight Metal (K) CKFK

Bowl Kits

- 10 oz. with sight BKF47W
- 10 oz. without sight BKF47M
- 20 oz. with sight BKF48W
- 20 oz. without sight BKF48M

Element Kits

- .03 micron EK77
- Clear net no color EK78

Repair Kits

- Repair kit RKF47, RKF48
- Replacement sight kit WK37
- Indicator Pop-up kit DPK-05

Mounting Kit see page 65

- Mounting kit FBK7

FEATURES

- 3 Micron absolute protection for .03 micron coalescing element
- Pop-up indicator indicates abnormal condition such as plugged element or excessive flow. Critical protection requires changing element at regular intervals.
- Low pressure drop
- 10 oz. or 20 oz. black coated metal bowl with liquid level sight
- Manual drain

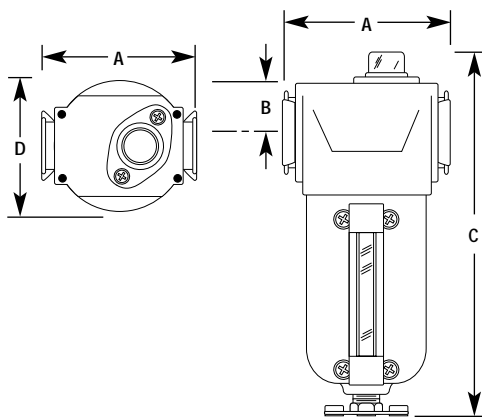
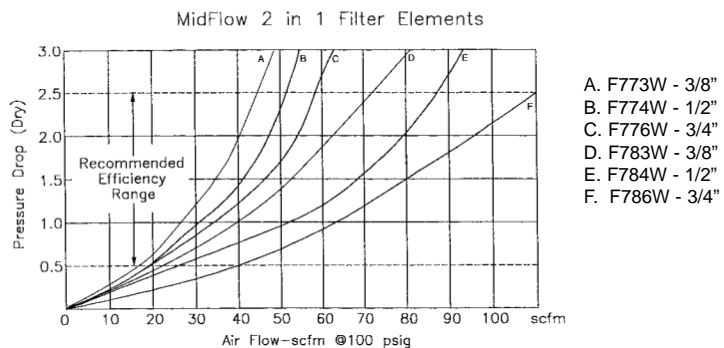
OPTIONS

add suffix to part number in alpha order

Float Drain

- F Internal float drain F773FW
- K Overnight drain F773KW
- M Black coated metal bowl . . . F773M

PERFORMANCE CHARACTERISTICS



DIMENSIONS

PIPE SIZE	MODEL NO.	MAX. FLOW SCFM*	BOWL CAPACITY	DIMENSIONS (INCHES)				WEIGHT (LBS.)
				A	B	C	D	
3/8"	F773W	48	10	3 3/4	1 1/8	8 1/4	3	2.7
3/8"	F783W	72	20	3 3/4	1 1/8	11 1/2	3	3.6
1/2"	F774W	55	10	3 3/4	1 1/8	8 1/4	3	2.7
1/2"	F784W	90	20	3 3/4	1 1/8	11 1/2	3	3.6
3/4"	F776W	60	10	3 3/4	1 1/8	8 1/4	3	2.7
3/4"	F786W	110	20	3 3/4	1 1/8	11 1/2	3	3.6

* Flow scfm based on 2.5 psi Δ p @ 100 psig inlet.



High Flow Two-in-One Coalescing Filters



SPECIFICATIONS

Metal Bowl

- Zinc, black coated
- Max. pressure 250 psig
- Operating temperature range 40°F to 200°F

Metal Bowl with sight

- Zinc, black coated
- Max. supply pressure 250 psig
- Operating temperature range 40°F to 160°F

Internal Float Drain

- Buna N float
- Note: limits bowl temperature and pressure rating
- Operating pressure range 30 to 175 psig
- Operating temperature range 40°F to 120°F

Body black coated aluminum

Baffle aluminum

Seals Buna N

Elements

- .03 micron borosilicate glass fiber D.O.P. Efficiency: 99.97%, Particle size removal, Remaining oil content by wt.: .015 PPM with 3 micron absolute protection

•KITS

- Internal float drain kit 5200
- Overnight Drain Kit (K) CKFK

Bowl Kits

- Metal with sight F505 BKF329W
- Metal without sight F505 BKF329M
- Metal with sight F508 BKF364W
- Metal without sight F508 BKF364M

Element Kits

- .03 micron 505 (Clear net) EK705
- .03 micron 508 (Clear net) EK708

Repair Kits

- Repair kit 505 RKF505
- Repair kit 508 RKF508
- Replacement sight kit WK35

FEATURES

- 3 Micron absolute protection for .03 micron coalescing element
- Manual drain
- Low pressure drop

OPTIONS

add suffix to part number in alpha and numeric order

D Differential pressure gauge . F708-10D

Float Drain

F Internal float drain F705-06FW

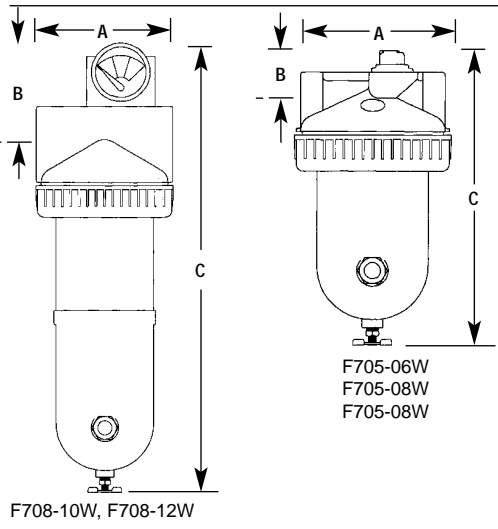
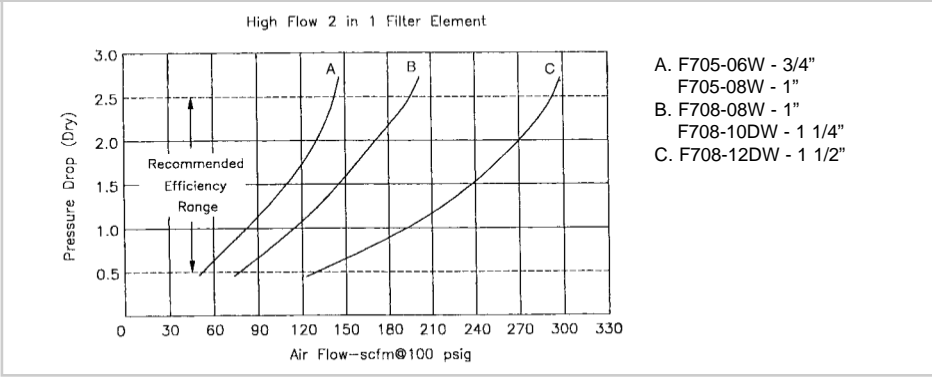
Overnight Drains

An overnight drain operates when a compressed air system is shut down. It clears accumulated condensate from a filter bowl when pressure falls to 3 psig or less. It then closes when pressure rises to 6 psi.

Twist to manually drain F708-08KW

For Metal Bowl without sight delete W

PERFORMANCE CHARACTERISTICS



DIMENSIONS

PIPE SIZE	MODEL NO.	BOWL CAPACITY	MAX. FLOW SCFM*	DIMENSIONS (INCHES)			WEIGHT (LBS.)
				A	B	C	
3/4"	F705-06W	29 oz.	185	4 7/8	1 3/16	9 13/32	3.7
1"	F705-08W	29 oz.	185	4 7/8	1 3/16	9 13/32	3.7
1"	F708-08W	60 oz.	300	4 7/8	1 3/16	14 13/32	6.0
1 1/4"	F708-10W	60 oz.	300	5 5/32	3 3/4	16 3/4	6.3
1 1/2"	F708-12W	60 oz.	400	5 5/32	3 3/4	16 3/4	6.3

* Flow scfm based on 2.5 psi Δ p @ 100 psig inlet.

High Flow Two-in-One Coalescing Filters



Gauge Optional

FEATURES

- 3 Micron absolute protection for .03 micron coalescing element
- Low pressure drop
- Manual drain

OPTIONS

add suffix to part number in alpha order

- D Differential pressure gauge F710-08D
- T External Float Drain F710-08T
- W Metal bowl with sight glass F710-08W

SPECIFICATIONS

Metal Bowl

- Black coated aluminum
- Max. pressure 250 psig
- Operating temperature range 40°F to 200°F

Metal Bowl with Sight

- Black Coated aluminum
- Max. pressure 250 psig
- Operating temperature range 40°F to 160°F

Body Black coated aluminum

Baffle plastic

Seals Buna N

Elements

- .03 micron borosilicate glass fiber
D.O.P. Efficiency: 99.97%, Particle size removal, Remaining oil content by wt.: .015 PPM with 3 micron absolute protection

KITS

- Float for External Drain5200

Bowl Kit

- Metal with sight BKF510W
- Metal without sight BKF510
- Metal with sight BKF518W
- Metal without sight BKF518
- Metal with sight BKF528W
- Metal without sight BKF528

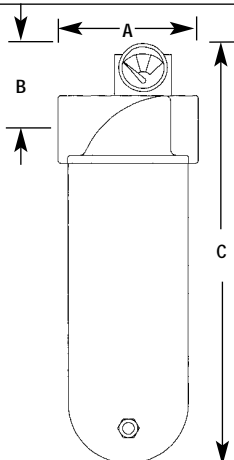
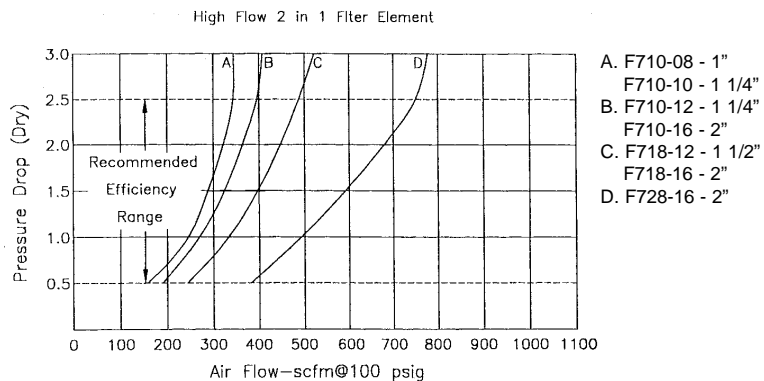
Element Kits

- .03 micron EKF710,
Clear net no color EKF718, EKF728

Repair Kits

- Repair kit RKF511, RKF519, RKF529
- Replacement sight kit BSF510

PERFORMANCE CHARACTERISTICS



DIMENSIONS

PIPE SIZE	MODEL NO.	BOWL CAPACITY	MAX. FLOW SCFM*	DIMENSIONS (INCHES)			WEIGHT (LBS.)
				A	B	C	
1"	F710-08	100 oz.	420	6 1/2	2	21	16
1 1/4"	F710-10	100 oz.	420	6 1/2	2	21	16
1 1/2"	F710-12	100 oz.	475	6 1/2	2	21	16
1 1/2"	F718-12	200 oz.	590	6 1/2	2	28 3/4	19
2"	F710-16	100 oz.	475	6 1/2	2	21	16
2"	F718-16	200 oz.	590	6 1/2	2	28 3/4	19
2"	F728-16	300 oz.	840	6 1/2	2	39	23

* Flow scfm based on 2.5 psi Δ p @ 100 psig inlet.

High Flow Two-in-One Coalescing Filters



Gauge Optional

FEATURES

- 3 Micron absolute protection for .03 micron coalescing element
- Low pressure drop
- Manual drain

OPTIONS

- add suffix to part number in alpha order
- D Differential pressure gauge . SF711-24D
 - T External Float Drain F711-24T
 - W Metal bowl with sight glass F711-24W

SPECIFICATIONS

- Metal Bowl**
- Black coated aluminum
 - Max. pressure 250 psig
 - Operating temperature range 40°F to 200°F

- Metal Bowl with Sight**
- Black coated aluminum
 - Max. pressure 250 psig
 - Operating temperature range 40°F to 160°F

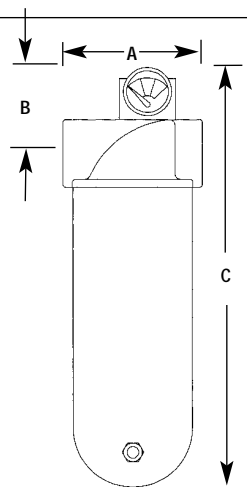
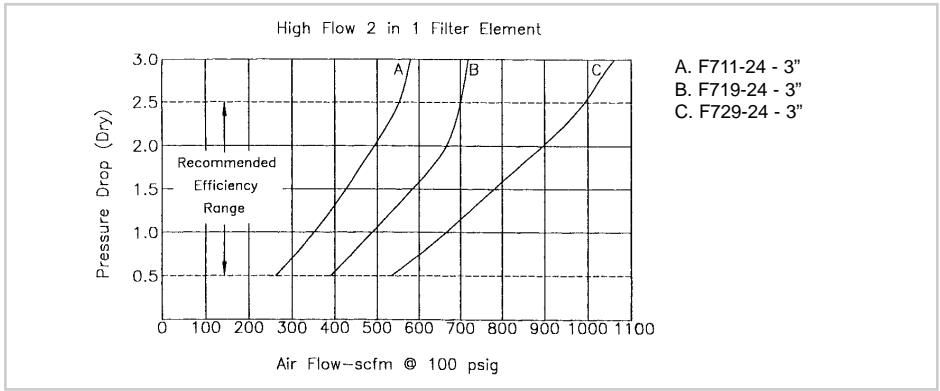
- **Body** Black coated aluminum
- **Baffle** plastic
- **Seals** Buna N

- Elements**
- .03 micron borosilicate glass fiber
 - D.O.P. Efficiency: 99.97%, Particle size removal, Remaining oil content by wt.: .015 PPM with 3 micron absolute protection

KITS

- Float for External Drain5200
- Bowl Kits**
- Metal with sight BKF510W
 - Metal without sight BKF510
 - Metal with sight BKF518W
 - Metal without sight BKF518
 - Metal with sight BKF529W
 - Metal without sight BKF529
- Element Kits**
- .03 micron EKF711
 - Clear net no color EKF719
 - EKF729
- Repair Kits**
- Repair kit RKF511
 - RKF519
 - RKF529
 - Replacement sight kit BSF510

PERFORMANCE CHARACTERISTICS



DIMENSIONS

PIPE SIZE	MODEL NO.	BOWL CAPACITY	MAX. FLOW SCFM*	DIMENSIONS (INCHES)			WEIGHT (LBS.)
				A	B	C	
3"	F711-24	100 oz.	620	7 ⁵ / ₈	2 ¹ / ₄	22 ¹¹ / ₁₆	21
3"	F719-24	200 oz.	770	7 ⁵ / ₈	2 ¹ / ₄	31 ³ / ₁₆	24
3"	F729-24	300 oz.	1100	7 ⁵ / ₈	2 ¹ / ₄	41 ⁷ / ₁₆	28

* Flow scfm based on 2.5 psi Δ p @ 100 psig inlet.

IN-LINE TOOL FILTER

IN-LINE TOOL FILTER



This unique, compact in-line filter provides low pressure drop, high air flow and is designed for air tools. The inlet can be attached directly to pneumatic air tools, protecting the tool with a 40 micron sintered metal element. The bronze element has a large surface area allowing long service before cleaning. But best of all the filter weighs less than 1/2 ounce.

Maximum operating pressure: 500 PSIG
Operating temperatures: 35°F to 300°F

Part No.	NPT Male x Female	Overall Length	Hex	Weight Oz
9132	1/4"	1 9/16"	5/8"	.5

IN-LINE NIPPLE FILTERS

IN-LINE NIPPLE FILTERS



This inexpensive disposable in-line nipple filter is ideal for the filtration of water, oil and air. It is compact and lightweight and can be installed at the point of use. Unique unit construction features a brass fitting that contains a conically shaped, porous sintered bronze filter element. The shape of the filter element is conical, rather than disc, to provide a larger filtering flow and a true, uninterrupted axial flow.

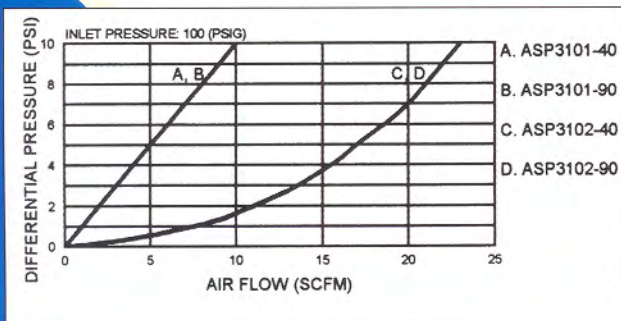
Maximum operating pressure: 300 PSI
Operating temperatures: 35°F to 300°F

Part No.	NPT	Overall Length	Hex	Weight Lbs
ASP3101-40	1/8"	1 1/4"	7/16"	.04
ASP3101-90	1/8"	1 1/4"	7/16"	.04
ASP3102-40	1/4"	1 1/2"	9/16"	.08
ASP3102-90	1/4"	1 1/2"	9/16"	.08
ASP3103-40	3/8"	1 3/4"	11/16"	.14
ASP3103-90	3/8"	1 3/4"	11/16"	.14
ASP3104-40	1/2"	2"	7/8"	.86
ASP3104-90	1/2"	2"	7/8"	.86

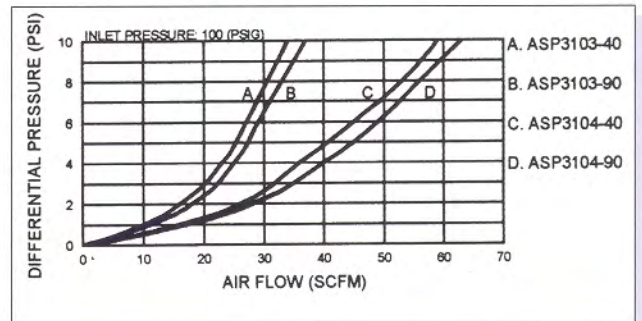
The porous sintered bronze element is available in the nominal filtration rating of 40 or 90 microns to insure minimum pressure drop.

Flow Characteristics – In-Line Nipple Filters

ASP3101 & ASP3102
Differential Pressure vs. Air Flow



ASP3103 & ASP3104
Differential Pressure vs. Air Flow



AIR/OIL IN-LINE TOOL FILTER

AIR/OIL IN-LINE TOOL FILTER

This in-line filter is designed specifically for the protection of small air tools, such as impact wrenches, nut runners, grinders and screwdrivers. It reduces downtime, prevents costly tool repairs and extends tool life.



The all-anodized, lightweight aluminum housing is compact and can be used directly before the air tool. Elements can be replaced quickly at nominal cost.

Maximum operating pressure: 500 PSI
 Operating temperatures: 35°F to 200°F
 For viton: 35°F to 400°F

The standard element is 40 micron, which insures minimum pressure drop. Elements can be obtained in 20 or 90 micron filtration on special order.

Part No.*	NPT	Overall Length	Diameter	Weight Lbs	Element & Seal	Spring Kit
9071	1/8"	2 5/16"	3/4"	.08	EK9072	SK9072
9072	1/4"	2 5/16"	3/4"	.08	EK9072	SK9072
9073	3/8"	2 5/16"	3/4"	.08	EK9072	SK9072
9074	1/2"	3 1/4"	1 1/2"	.46	EK9074	SK9052
9074M	1/2"	3 13/16"	1 1/2"	.46	EK9074	SK9052
9076	3/4"	3 1/4"	1 1/2"	.46	EK9074	SK9052
9076M	3/4"	3 13/16"	1 1/2"	.46	EK9074	SK9052

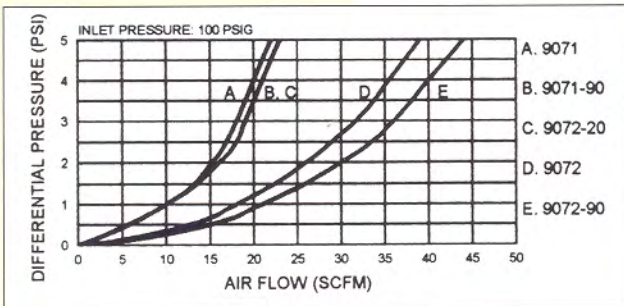
The in-line filter can also be used in low pressure hydraulic applications. When using for hydraulic applications, a 20 micron element is recommended. Special viton O-rings are available for oil systems where chemical action may be a problem.

*Use Suffix V for viton seals. For 90 or 20 micron elements, use micron size as dash number and add to part no. (i.e. 9072-20; EK9072-20).

Flow Characteristics – Air/Oil In-Line Filters

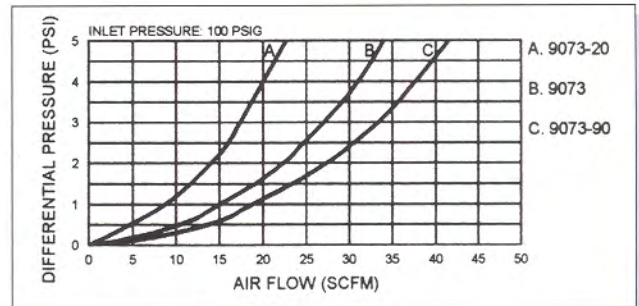
9071 & 9072

Differential Pressure vs. Air Flow



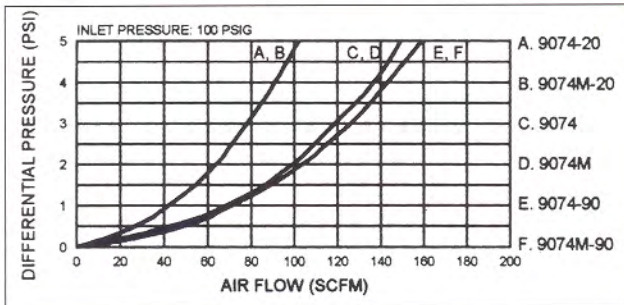
9073

Differential Pressure vs. Air Flow



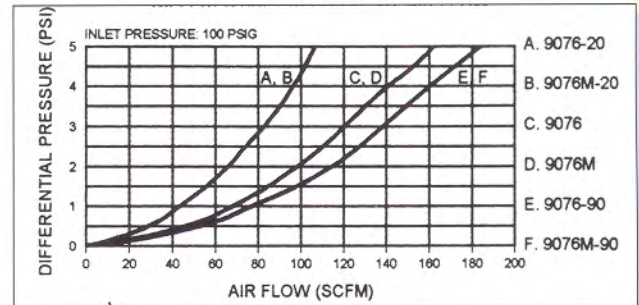
9074 & 9074M

Differential Pressure vs. Air Flow



9076 & 9076M

Differential Pressure vs. Air Flow



HYDRAULIC IN-LINE FILTER

This hydraulic in-line filter provides protection for small, high pressure systems up to 3,000 PSI. By using this filter at the pressure side of a pump, foreign particles 25 microns and larger, such as those created by pump wear, are removed before damage can result to the valving in the system. A sintered bronze element ensures protection against crushing should dirt accumulate and increase pressure drop across the element.

The unique construction features an anodized aluminum housing for light weight, and a conically shaped sintered bronze element positioned by a retaining spring to allow true, uninterrupted axial flow. Special viton O-rings are available for oil systems where chemical action may be a problem. The standard 25 micron bronze filter element can be easily cleaned or replaced. Nominal filtration ratings of 90, 40, or 10 microns available.



Maximum operating pressure: 3000 PSI
 Operating temperatures: 35°F to 200°F
 For viton: 35°F to 400°F

Part No.*	NPTF	Overall Length	Diameter	Weight Lbs	Element & Seal	Spring Kit
9052	1/4"	3 1/4"	1 1/2"	.46	EK9052	SK9052
9053	3/8"	3 1/4"	1 1/2"	.46	EK9052	SK9052
9054	1/2"	4 15/16"	1 1/2"	.83	EK9054	SK9054
9056	3/4"	4 15/16"	1 1/2"	.83	EK9054	SK9054
9152	9/16"-18 SAE	3 1/4"	1 1/2"	.46	EK9052	SK9052
9153	3/4"-16 SAE	3 1/4"	1 1/2"	.46	EK9052	SK9052

*Use Suffix V for viton seals. For 90, 40, or 10 micron elements, use micron size as dash number and add to part no. (i.e. 9052-10; EK9052-10).

HYDRAULIC IN-LINE FILTER — TEE TYPE

This in-line filter provides protection for small, high pressure systems up to 5,000 PSI. The design is similar in performance to the model 9052 and 9053 filters, with the added convenience of a cleanable element that can be removed without breaking line connections. A filter access cap simply unscrews for easy element cleaning and replacement.

The anodized aluminum housing is lightweight. Porting is 1/4", 3/8" or 9/16"-18 SAE NPT pipe. Viton O-rings are offered for oil systems where chemical action may be a problem. The standard bronze filter element is 25 micron. Nominal filtration ratings of 90, 40, or 10 microns available.

Maximum operating pressure: 5,000 PSI
 Operating temperatures: 35°F to 200°F
 For viton: 35°F to 400°F

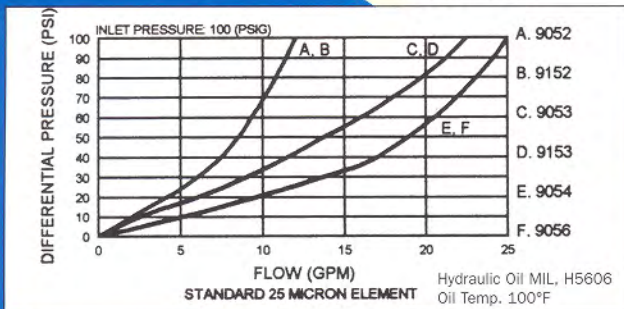


Part No.*	NPT	Overall Length	Diameter	Weight Lbs	Element & Seal	Spring Kit
9052T	1/4"	3 3/16"	2 1/8"	.93	EK9052	SK9052T
9053T	3/8"	3 3/16"	2 1/8"	.93	EK9052	SK9052T
9152T	9/16"-18 SAE	3 3/16"	2 1/8"	.93	EK9052	SK9052T

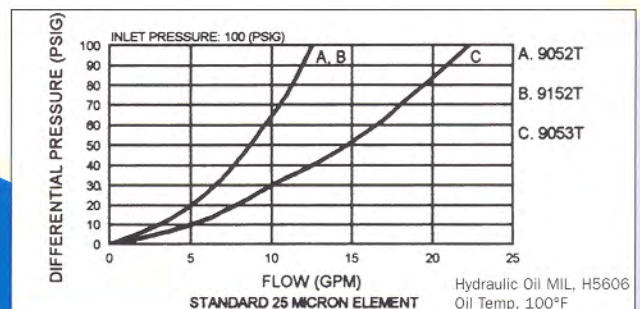
*Use Suffix V for viton seals. For 90, 40, or 10 micron elements, use micron size as dash number and add to part no. (i.e. 9052T-10; EK9052-10).

Flow Characteristics – Hydraulic In-Line Filters

**9052, 9053, 9054, 9056
 9152 & 9153**
 Differential Pressure vs. Air Flow



9052T, 9053T, 9152T
 Differential Pressure vs. Air Flow



BREATHER VENTS



These breather vents have many applications, including vacuum relief or pressure equalization on gear boxes, oil tanks or reservoirs. Common uses can be found on single acting cylinders or valves to prevent dirt and foreign particles from entering ports open to the atmosphere.

Units have a nickel plated steel insert. All have standard pipe thread fittings for quick assembly and removal for cleaning. The filter element within the standard breather vent is rated for 40 micron filtration and can also be obtained for 20 or 90 micron filtration on special order.

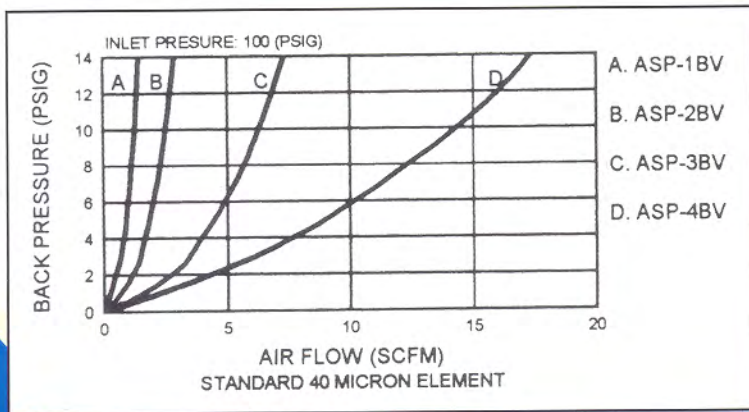
See performance charts for flow characteristics.

Maximum operating temperature: 150 PSI
 Operating temperature: 35°F to 300°F

Part No. NPT	Part No. BSP	Thread Size	Overall Length	Dia.	Weight Lbs.
ASP-1BV	ASP-1BVBS	1/8"	7/16"	7/16"	.01
ASP-2BV	ASP-2BVBS	1/4"	5/8"	9/16"	.02
ASP-3BV	ASP-3BVBS	3/8"	3/4"	11/16"	.04
ASP-4BV	ASP-4BVBS	1/2"	7/8"	7/8"	.06
ASP-6BV		3/4"	1"	1-1/16"	.10
ASP-8BV		1"	1-5/16"	1-5/16"	.23
ASP-10BV		1-1/4"	1-13/32"	1-11/16"	.41
ASP-12BV		1-1/2"	1-1/2"	2"	.56

Flow Characteristics—Breather Vents

ASP-1BV, ASP-2BV, ASP-3BV, ASP-4BV
 Back Pressure vs. Air Flow



ASP-6BV, ASP-8BV, ASP-10BV, ASP-12BV
 Back Pressure vs. Air Flow

