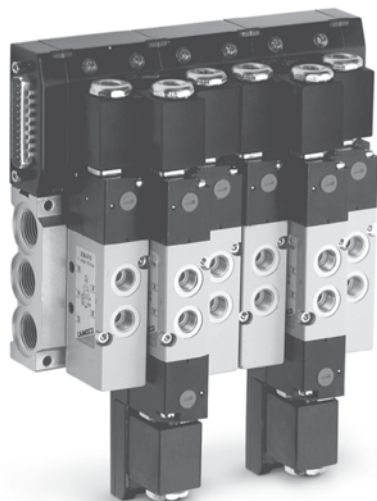


Valve Island Series 3 Plug-In

Plug-In for electro-pneumatically operated valves
Series 3 G1/8, 2x3/2, 5/2 and 5/3 way C.O. C.C. C.P.



- » Flexible assembly
- » Electrical connection LEFT/RIGHT
- » Easy installation

It is possible to combine the modules by simply attaching them to each other up to a maximum of 11 valve positions for each side. The pneumatic manifold is modular and consists of basic and/or terminal module, expansion module. Modularity 2 and 3 offers the possibility to create manifolds with the desired number of valve positions.

This accessory permits manifolds with different pressure supplies.

This Plug-In system based on the electropneumatically operated valves Series 3, G1/8 delivered completely assembled and tested, can accommodate up to 22 valve positions (with two SUB-D connectors), has a protection class of IP 65. The electrical part is based on printed circuit boards.

GENERAL DATA

Construction	spool type
Valve group	Ways / Pos. 5/2 - 5/3 C.C. C.O. C.P. - 2x3/2 N.O. - 2x3/2 N.C. - 1 3/2 N.O.+1 3/2 N.C.
Materials	aluminium body, stainless steel spool, seals in NBR
Mounting	through holes in the valve body
Ports	G1/8
Installation	in any position
Operating temperature	0 a 60°C (with dry air at -20°C)
Nominal flow rate	*Qn 700 NI/min
Nominal diameter	7 mm
Fluid	Filtered air, without lubrication. If lubricated air is used, it is recommended to use ISO VG32 oil, and to never interrupt the lubrication.
Signalling	LED
Voltage	24 V DC
Voltage tolerances	+/- 10%
Duty cycle	ED 100%
Class of insulation	Class H
Protection class	IP 65
Power consumption	3W
Power supply connector	SUB-D 25 poles IP65

CODING EXAMPLE

3P	8	-	E	AB	-	BMM	-	U	7	7	-
-----------	----------	----------	----------	-----------	----------	------------	----------	----------	----------	----------	----------

3P	SERIES: 3 PLUG-IN.
8	PORTS: 8 = G1/8
E	N° VALVE POSITION: See table pag. 2.03.05.03
AB	CONFIGURATION OF PNEUMATIC AND ELECTRIC MODULES see following pages
BMM	VALVE COMPOSITIONS see following pages
U	SOLENOID MATERIAL: G = PA U = PET
7	SOLENOID DIMENSIONS: 7 = 22x22
7	SOLENOID VOLTAGE: 7 = 24V DC
	SPECIAL: = Standard S = to be specified.

Ex. of coding: 3P8-FAA-2B5M-G77

Valve island with 7 positions equipped with 2 ev. Cod.B and 5 Ev. Cod.M, SUB-B connector position to the RIGHT

TABLE FOR THE CONFIGURATION OF THE SERIES 3 PLUG-IN

2

The valve island code is always read from left to right, the electrical module is positioned on top of the pneumatic manifold, as on the photo on page 2.3.05.01. It is also possible to create 2 or more pressure zones in the valve island by inserting the diaphragm Mod. CNVL-TP between the modules.

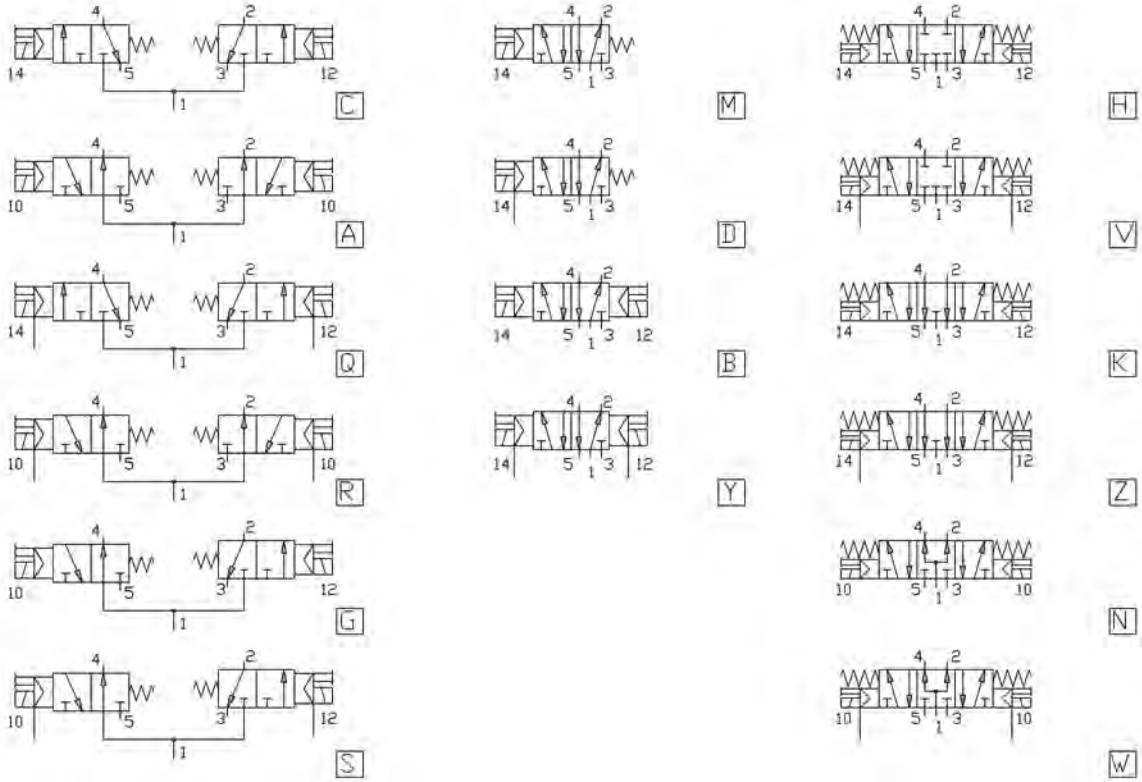
The letter represents the number of valve positions	Number of valve positions, showing the combination of the modules from which the valve island is built.	Position of the D-SUB and the number of valves to which it is connected. [left]	Position of the D-SUB and the number of valves to which it is connected. [right]	Configuration code Positions	Configuration code
A = 2 pos.	[2]	-	2	A	A - A
	(2)	2	-	A	A - B
B = 3 pos.	[3]	-	3	B	A - A
	(3)	3	-	B	A - B
C = 4 pos.	[2] [2]	-	4	C	A - A
	(2) (2)	4	-	C	A - B
D = 5 pos.	[3] [2]	-	5	D	A - A
	(3) (2)	5	-	D	A - B
	[2] [3]	-	5	D	A - C
	(2) (3)	5	-	D	A - D
E = 6 pos.	[3] [3]	-	6	E	A - A
	(3) (3)	6	-	E	A - B
F = 7 pos.	[2] [3] [2]	-	7	F	A - A
	(2)(3)(2)	7	-	F	A - B
G = 8 pos.	[3] [3] [2]	-	8	G	A - A
	(3)(3)(2)	8	-	G	A - B
	[2] [3] [3]	-	8	G	A - C
	(2)(3)(3)	8	-	G	A - D
H = 9 pos.	[3] [3] [3]	-	9	H	A - A
	(3)(3)(3)	9	-	H	A - B
I = 10 pos.	[2] [3] [3] [2]	-	10	I	A - A
	(2)(3)(3)(2)	10	-	I	A - B
J = 11 pos.	[2] [3] [3] [3]	-	11	J	A - A
	(2)(3)(3)(3)	11	-	J	A - B
	[3] [3] [3] [2]	-	11	J	A - C
	(3)(3)(3)(2)	11	-	J	A - D
K = 12 pos.	(3) [3] [3] [3]	3	9	K	A - A
	(3)(3)[3] [3]	6	6	K	A - B
	(3) (3)(3) [3]	9	3	K	A - C
L = 13 pos.	(2) [3] [3] [3] [2]	2	11	L	A - A
	(2) (3) [3] [3] [2]	5	8	L	A - B
	(2) (3) (3) [3] [2]	8	5	L	A - C
	(2) (3) (3)(3) [2]	11	2	L	A - D
M = 14 pos.	(2) (3) [3] [3] [3]	5	9	M	A - A
	(2) (3) (3) [3] [3]	8	6	M	A - B
	(2) (3) (3) (3) [3]	11	3	M	A - C
	(3) [3] [3] [3] [2]	3	11	M	A - D
	(3) (3) [3] [3] [2]	6	8	M	A - E
	(3) (3) (3) [3] [2]	9	5	M	A - F
N = 15 pos.	(3) (3) [3] [3] [3]	6	9	N	A - A
	(3) (3) (3) [3] [3]	9	6	N	A - B
O = 16	(2) (3) [3] [3] [3] [2]	5	11	O	A - A
	(2) (3) (3) [3] [3] [2]	8	8	O	A - B
	(2) (3) (3) (3) [3] [2]	11	5	O	A - C
P = 17	(2) (3) (3) [3] [3] [3]	8	9	P	A - A
	(2) (3) (3) (3) [3] [3]	11	6	P	A - B
	(3) (3) [3] [3] [3] [2]	6	11	P	A - C
	(3) (3) (3) [3] [3] [2]	9	8	P	A - D
Q = 18	(3) (3) (3) [3] [3] [3]	9	9	Q	A
R = 19	(2) (3) (3) [3] [3] [3] [2]	8	11	R	A - A
	(2) (3) (3) (3) [3] [3] [2]	11	8	R	A - B
S = 20	(2) (3) (3) (3) [3] [3] [3]	11	9	S	A - A
	(3) (3) (3) [3] [3] [3] [2]	9	11	S	A - B
T = 21*	(3) (3) (2) (2) [2] [3] [3] [3]	10	11	T	A - A
	(3) (3)[3] [3] [3] [3] [3]	10	11	T	A - A
	(3) (3) (3) (2)[2] [2] [3] [3]	11	10	T	A - B
	(3) (3) (3) [3] [3] [3] [3]	11	10	T	A - B
U = 22	(2) (3) (3) (3) [3] [3] [3] [2]	11	11	U	A - A

* = On the valve island with 21 valve pos., the electr. mod. do not correspond directly with the pneum. mod.,

FUNCTIONING SOLENOID VALVES SERIES 3 Plug-IN

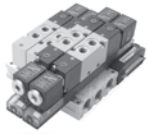
2

CONTROL



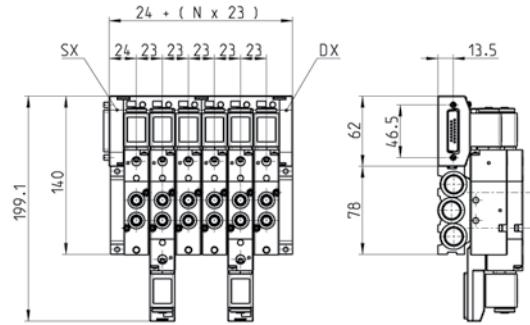
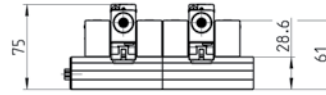
Model	Manual actuation	Function	Pilot supply	Central position	Actuation	Working pressure (bar)	Pilot pressure (bar)	Code
338D-015-02	Bistable	2 x 3/2 N.C.	Internal	-	solenoid/spring	2 + 10	-	C
348D-015-02	Bistable	2 x 3/2 N.O.	Internal	-	solenoid/spring	2 + 10	-	A
338D-E15-02	Bistable	2 x 3/2 N.C.	External	-	solenoid/spring	-0,9 + 10	2 + 10	Q
348D-E15-02	Bistable	2 x 3/2 N.O.	External	-	solenoid/spring	-0,9 + 10	2 + 10	R
398D-015-02	Bistable	1 3/2 N.C. + 1 3/2 N.O.	Internal	-	solenoid/spring	2 + 10	-	G
398D-E15-02	Bistable	1 3/2 N.C. + 1 3/2 N.O.	External	-	solenoid/spring	-0,9 + 10	2 + 10	S
358-015-02	Monostable	5/2	Internal	-	solenoid/spring	2 + 10	-	M
358-E15-02	Monostable	5/2	External	-	solenoid/spring	-0,9 + 10	2 + 10	D
358-011-02	Bistable	5/2	Internal	-	solenoid/solenoid	2 + 10	-	B
358-E11-02	Bistable	5/2	External	-	solenoid/solenoid	-0,9 + 10	2 + 10	Y
368-011-02	Bistable	5/3	Internal	centres closed	solenoid/solenoid	2 + 10	-	H
368-E11-02	Bistable	5/3	External	centres closed	solenoid/solenoid	-0,9 + 10	2 + 10	V
378-011-02	Bistable	5/3	Internal	centres opened	solenoid/solenoid	2 + 10	-	K
378-E11-02	Bistable	5/3	External	centres opened	solenoid/solenoid	-0,9 + 10	2 + 10	Z
388-011-02	Bistable	5/3	Internal	pressure centres	solenoid/solenoid	2 + 10	-	N
388-E11-02	Bistable	5/3	External	pressure centres	solenoid/solenoid	-0,9 + 10	2 + 10	W

Valve island Series 3



When a valve type M should be inserted in a free position, the following components should be used (to be ordered separately):
 2x screws Cod. CNVL/21
 1x interface seal Cod. CNVL-3H/7

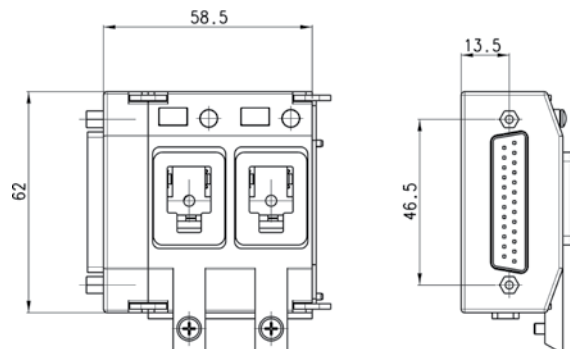
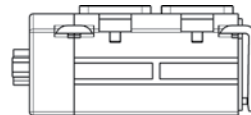
In case a valve type B should be inserted use the following component (to be ordered separately):
 1x interface seal Cod. CNVL-3H/7



N = number of valve positions

Electrical Module Mod. 3PAC-R-LS2

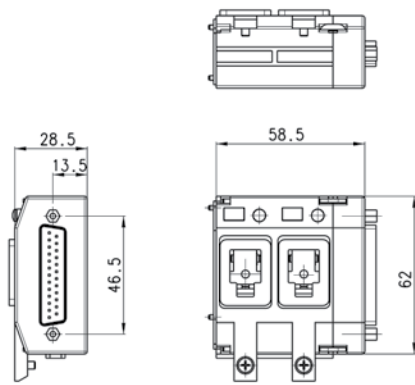
To be mounted with manifold CNVL-3H2



Electrical module
 3PAC-R-LS2

Electrical module Mod. 3PAC-R-RS2

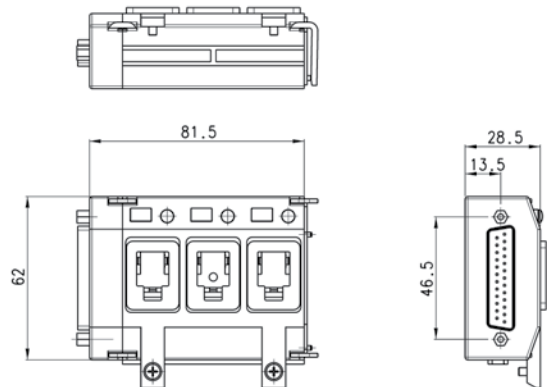
To be mounted with manifold CNVL-3H2



Electrical module
3PAC-R-RS2

Electrical Module Mod. 3PAC-R-LS3

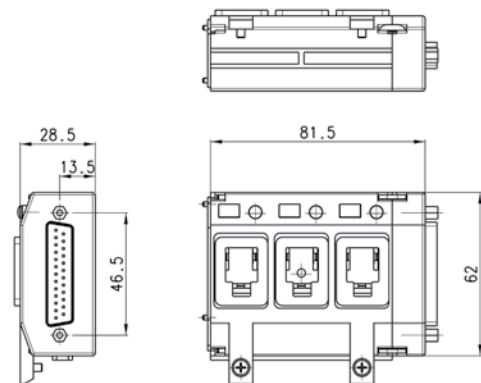
To be mounted with manifold CNVL-3H3



Electrical module
3PAC-R-LS3

Electrical Module Mod. 3PAC-R-RS3

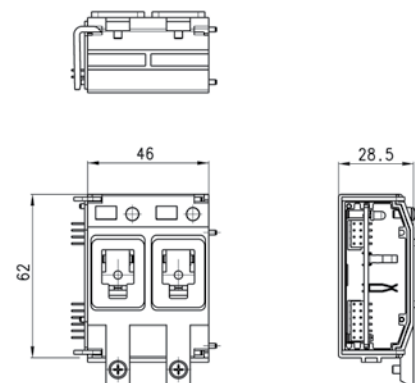
To be mounted with manifold CNVL-3H3



Electrical module
3PAC-R-RS3

Electrical Module Mod. 3PAC-R-LI2

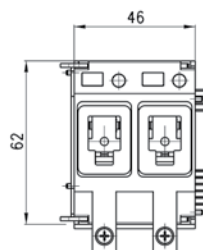
To be mounted with manifold CNVL-3H2



Electrical module
3PAC-R-LI2

Electrical Module Mod. 3PAC-R-RI2

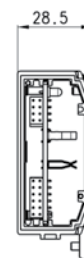
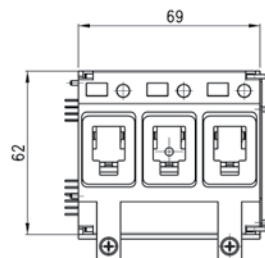
To be mounted with manifold CNVL-3H2



Electrical module
3PAC-R-RI2

Electrical Module Mod. 3PAC-R-LI3

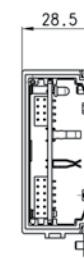
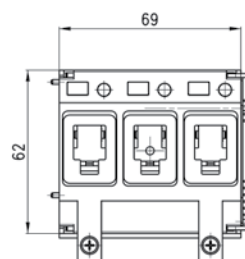
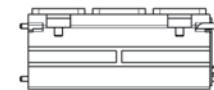
To be mounted with manifold CNVL-3I3



Electrical module
3PAC-R-LI3

Electrical Module Mod. 3PAC-R-RI3

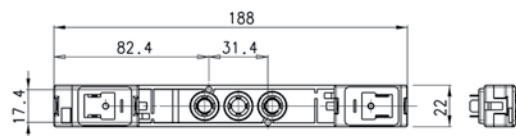
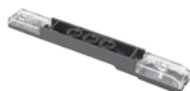
To be mounted with manifold CNVL-3I3



Electrical module
3PAC-R-RI3

Electrical Module Mod. 3PAC-R-IF1

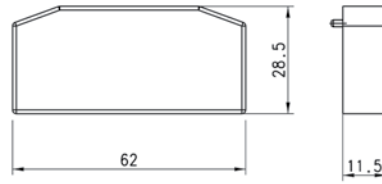
For valves with two solenoids.
Supplied with:
1x seal
2x screws for valve mounting



Electrical module
3PAC-R-IF1

Mod. 3PAC-R-TP1

End cap for electric module.



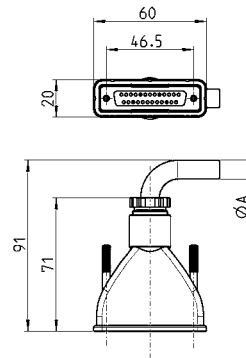
DIMENSIONS

Mod.

3PAC-R-TP1

Mod. G4X-3

Connector SUB-D 25 plate
IP65 with 3m. cable



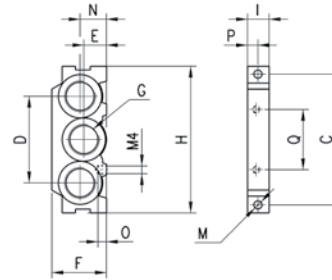
DIMENSIONS

Mod.

G4X-3

Terminal module Mod. CNVL-3H

The packaging contains:
2x fixing screws.

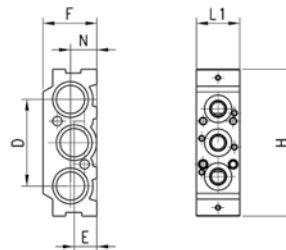


DIMENSIONS

Mod.	C	D	E	F	H	I	M	N	O	P	Q	G
CNVL-3H	69,5	46	12	29	78	11,5	4,3	14	5	6	32	3/8

Expansion module with 1 position Mod. CNVL-3I1

Supplied with:
3x O-Rings
2x fixing screws
2x junction plugs



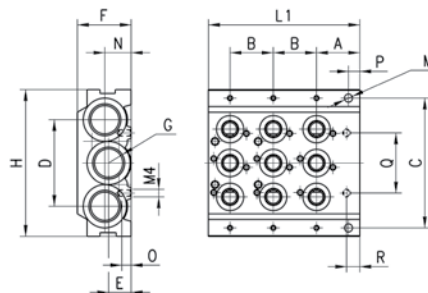
DIMENSIONS

Mod.	D	E	F	H	L1	N
CNVL-3I1	46	12	29	78	23	14

Basic module with 3 positions Mod. CNVL-3H3



Supplied with:
 3x O-rings
 2x fixing screws
 2x junction plugs



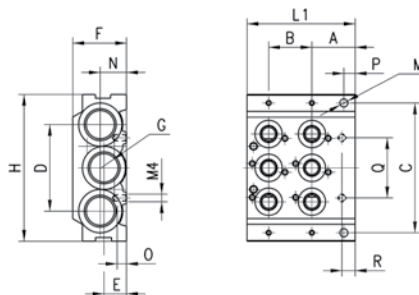
DIMENSIONS

Mod.	A	B	C	D	E	F	H	L1	M	N	O	P	Q	R
CNVL-3H3	23	23	69,5	46	12	29	78	80,5	4,3	14	5	6	32	7

Basic module with 2 positions Mod. CNVL-3H2



Supplied with:
 3x O-rings
 2x fixing screws
 2x junction plugs



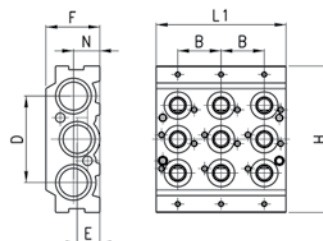
DIMENSIONS

Mod.	A	B	C	D	E	F	H	L1	M	N	O	P	Q	R
CNVL-3H2	23	23	69,5	46	12	29	78	57,5	4,3	14	5	6	32	7

Expansion module with 3 positions Mod. CNVL-3I3



Supplied with:
 3x O-rings
 2x fixing screws
 2x junction plugs



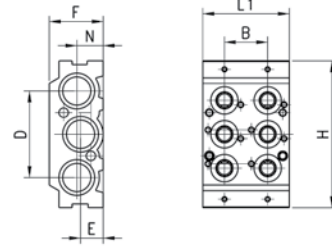
DIMENSIONS

Mod.	B	D	E	F	H	L1	N
CNVL-3I3	23	46	12	29	78	69	14

Expansion module with 2 positions Mod. CNVL-3I2



Supplied with:
3x O-rings
2x fixing screws
2x junction plugs

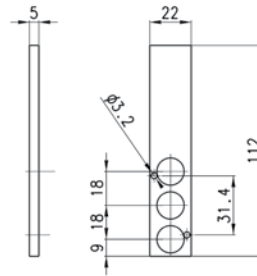


DIMENSIONS							
Mod.	B	D	E	F	H	L1	N
CNVL-3I2	23	46	12	29	78	46	14

CNVL/1L



Excluder.
Supplied with:
3x seals
2x screws

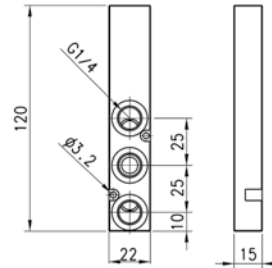


Mod.	
CNVL/1L	

CNVL - 3P1

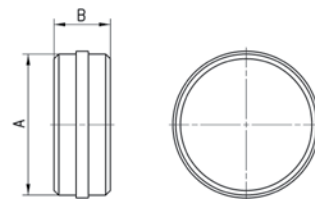


Intermediate plate for manifolds with outlets.
Supplied with:
1x seal
2x screws



Mod.	
CNVL-3P1	

Diaphragm Mod. CNVL-3H-TP



DIMENSIONS			
Mod.	A	B	Channels diaphragm
CNVL-3H-TP	15,6	6	T=1+3+5 U=1 J=3+5