

Manually operated valves Series 3, 4

Series 3 and 4, 3/2, 5/2 and 5/3-way
Ports 1/8", 1/4" NPTF

VMS Series, 3/2-way
Ports 1/8", 1/4",
3/8", 1/2" NPTF

The Series 3 manual valves [1/8", 3/2 and 5/2-way] and the Series 4 manual valves [1/4", 3/2, 5/2 and 5/3-way] are available with actuators designed to satisfy different needs. The 3/2-way valves are normally closed when P is the inlet; they can also be normally open when R is the inlet.



GENERAL DATA

Valve group	3/2, 5/2, 5/3 [way/positions]
Construction	Spool type
Mounting	Mounting holes in valve body
Materials	Aluminum body, Stainless steel spool, Buna-N seals
Threaded port sizes	1/8" NPTF, 1/4" NPTF
Installation	Manifold, or single panel mount
Operating temperature	32°F - 175°F, [dry air necessary down to -4° F]
Fluid	Filtered air
Lubricant	Oil compatible with Buna-N, [3° - 10° E]

PNEUMATIC DATA

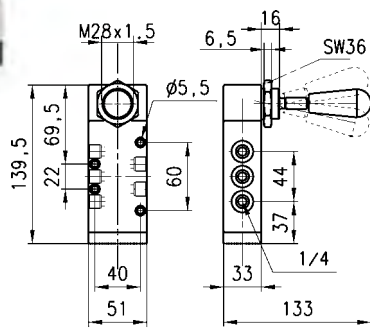
Operating pressure	0 - 10 bar, [0 - 145 psi]	
Nominal pressure	6 bar, [87 psi]	
Nominal flow	*Qn Series 3: 1/8" = 450 NL/min. [15.89 SCFM]	
	Series 4: 1/8" = 640 NL/min. [22.60 SCFM]	1/4" = 1230 NL/min. [43.43 SCFM]
Nominal diameter	1/8" = 5 mm	1/4" = 7.5 mm
Cv Rating	Series 3: 1/8" = 0.47	
	Series 4: 1/8" = 0.67	1/4" = 1.29

*Qn flowrate [SCFM] determined with a supply pressure of 6 bar [87 psi], and with a pressure drop of 1 bar [14.5 psi].

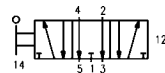
** Soft-seal repair kits are available on request.

***Dimensions are in millimeters

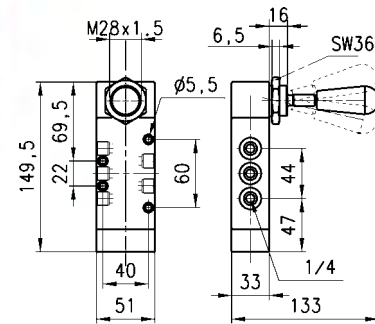
Valves Mod. 474-900TF



Mod.
474-900TF



Valves Mod. 474-905TF

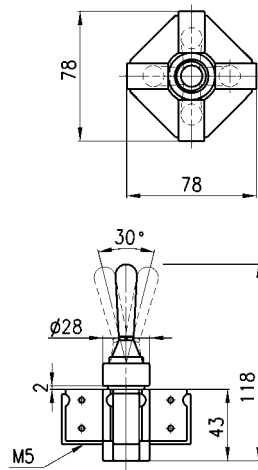


Mod.
474-905TF

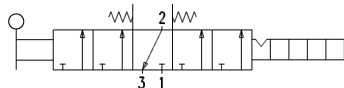


Valves Mod. 234-9054

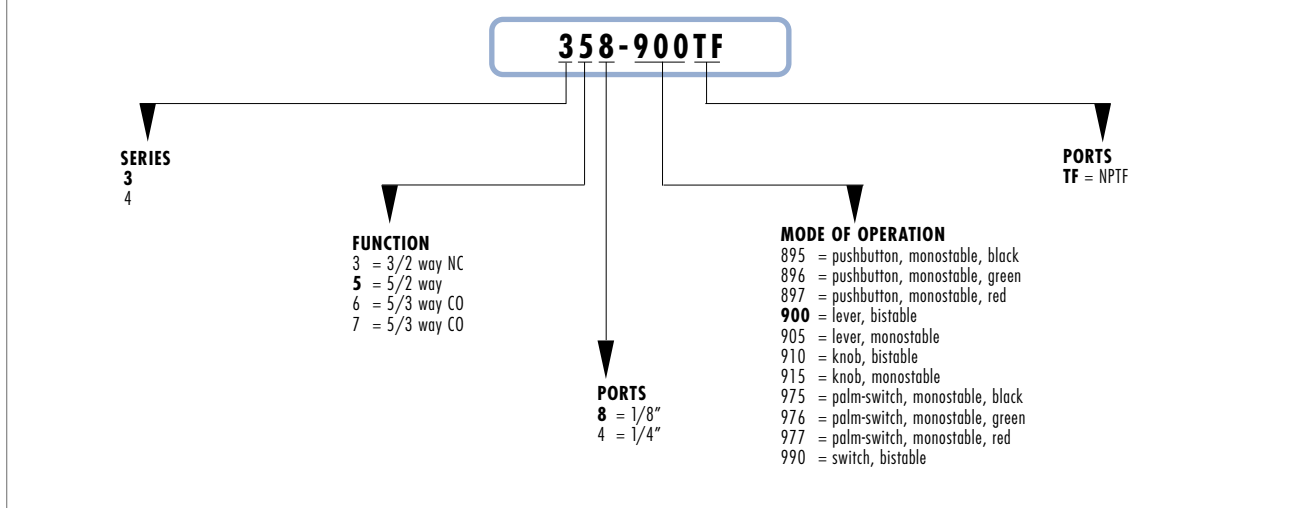
5/32" O.D. Tube Connections.



Mod.
234-9054



CODING OF MINIVALVES

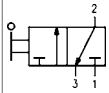
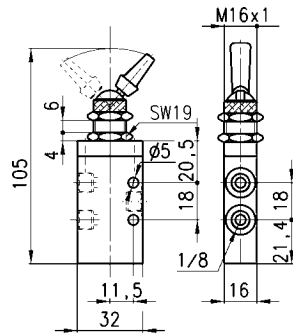


Manually operated valves

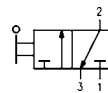
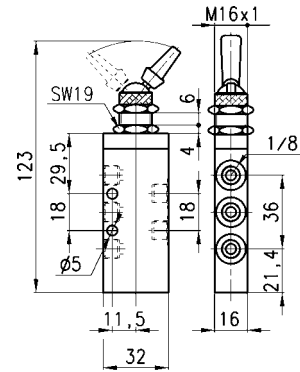


The company reserves the right to vary models and dimensions without notice. These products are designed for industrial applications and are not suitable for sale to the general public.

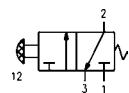
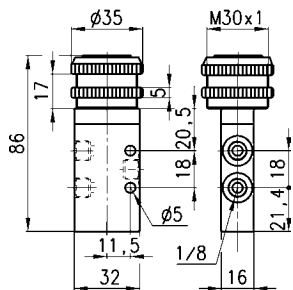
Valves Mod. 338-990TF



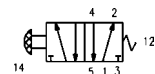
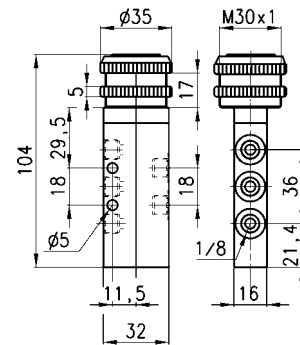
Valves Mod. 358-990TF



Valves Mod. 338-895TF



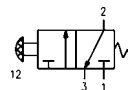
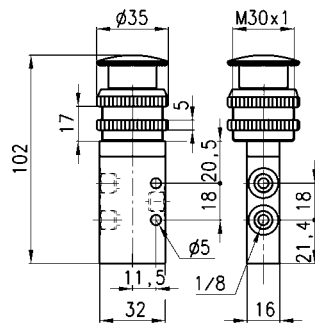
Valves Mod. 358-895TF



Mod.	
338-895TF	Black
338-896TF	Green
338-897TF	Red

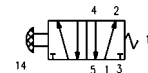
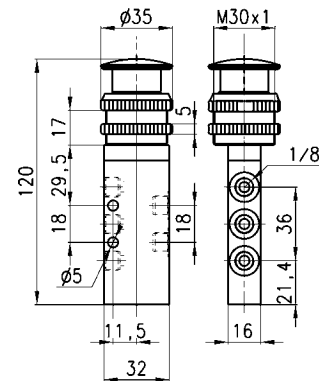
Mod.	
358-895TF	Black
358-896TF	Green
358-897TF	Red

Valves Mod. 338-975TF



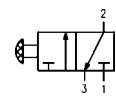
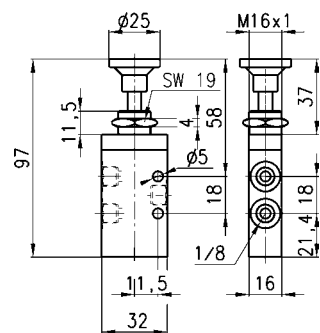
Mod.	
338-975TF	Black
338-976TF	Green
338-977TF	Red

Valves Mod. 358-975TF



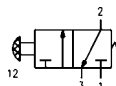
Mod.	
358-975TF	Black
358-976TF	Green
358-977TF	Red

Valves Mod. 338-910TF and Mod. 338-915TF

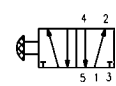
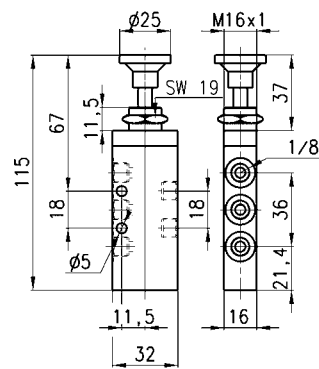


Mod.	
338-910TF	

Mod.	
338-915TF	

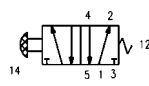


Valves Mod. 358-910TF and Mod. 358-915TF



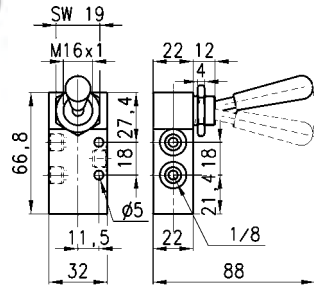
Mod.	
358-910TF	

Mod.	
358-915TF	

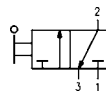


The company reserves the right to vary models and dimensions without notice. These products are designed for industrial applications and are not suitable for sale to the general public.

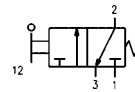
Valves Mod. 338-900TF and Mod. 338-905TF



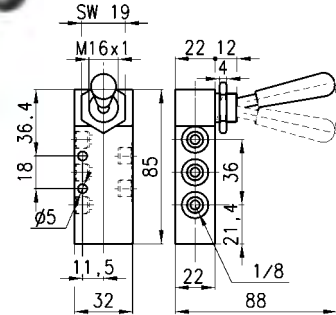
Mod.
338-900TF



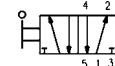
Mod.
338-905TF



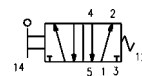
Valves Mod. 358-900TF and Mod. 358-905TF



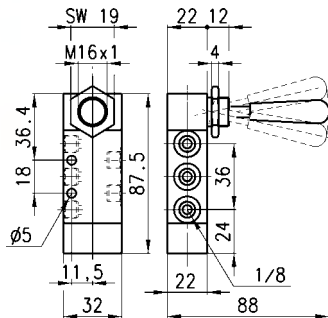
Mod.
358-900TF



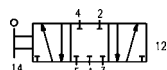
Mod.
358-905TF



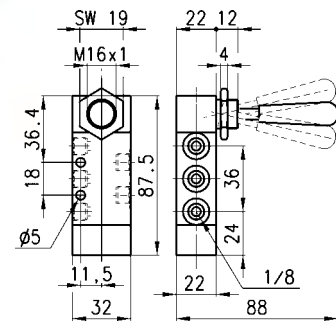
Valves Mod. 368-900TF



Mod.
368-900TF



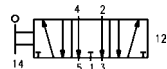
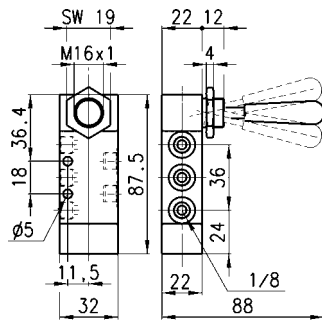
Valves Mod. 368-905TF



Mod.
368-905TF

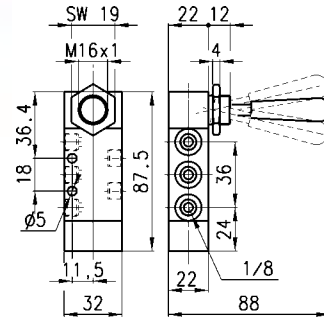


Valves Mod. 378-900TF



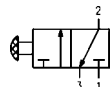
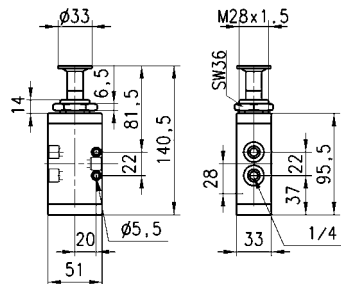
Mod.
378-900TF

Valves Mod. 378-905TF



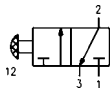
Mod.
378-905TF

Valves Mod. 434-910TF and Mod. 434-915TF

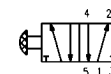
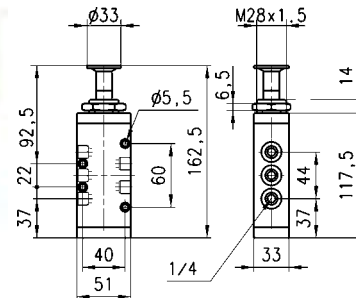


Mod.
434-910TF

Mod.
434-915TF

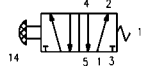


Valves Mod. 454-910TF and Mod. 454-915TF

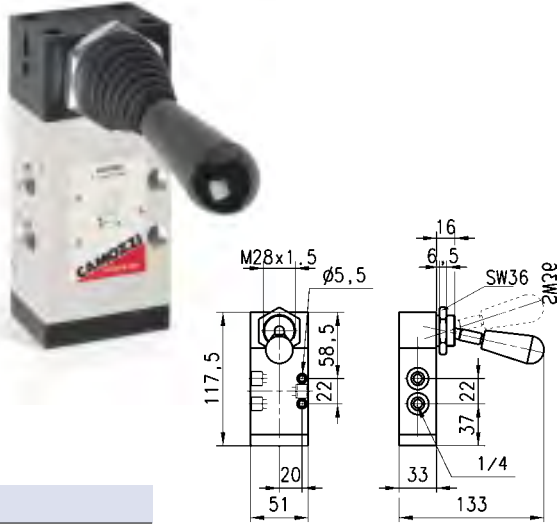


Mod.
454-910TF

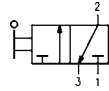
Mod.
454-915TF



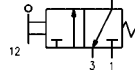
Valves Mod. 434-900TF and Mod. 434-905TF



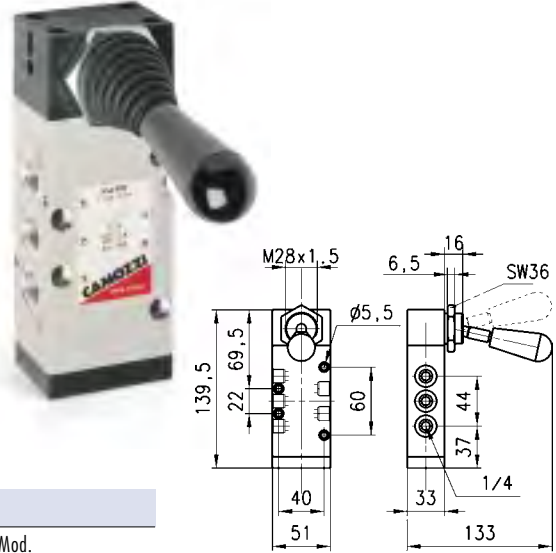
Mod.
434-900TF



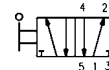
Mod.
434-905TF



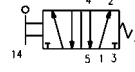
Valves Mod. 454-900TF and Mod. 454-905TF



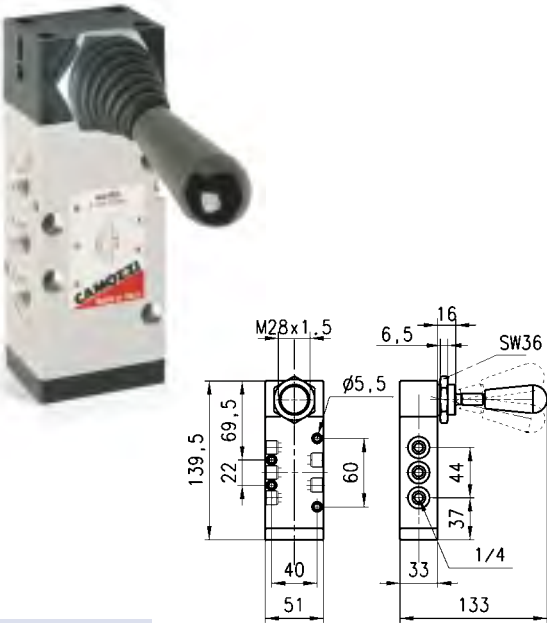
Mod.
454-900TF



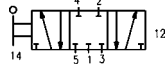
Mod.
454-905TF



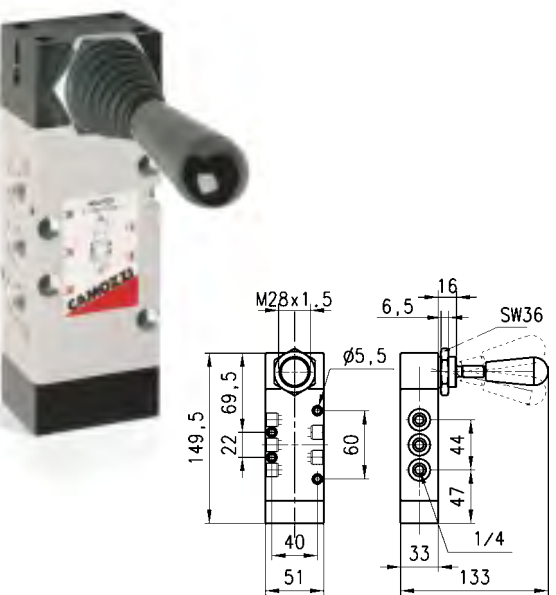
Valves Mod. 464-900TF



Mod.
464-900TF



Valves Mod. 464-905TF



Mod.
464-905TF

