




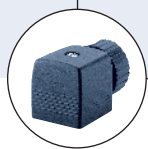


## 2/2-way Solenoid Valve with servo-diaphragm

- Universal version up to 232 PSI
- NBR, EPDM or FKM servo-diaphragms
- Waterhammer-free, low noise
- NC circuit function
- Brass and stainless steel body
- Threaded port or flange connections
- Approvals:     

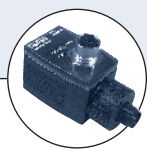
Type 5281 can be combined with...



**Type 2508**  
Cable plug



**Type 1078**  
Timer unit



**Type 2511**  
ASI cable plug



**Type 8600**  
Dosing control

Servo-assisted solenoid valve with servo-diaphragm for the control of liquid or gaseous media. A pressure difference of 2.9 PSI is required for a complete switchover.

### Power consumption

Inrush AC [VA]	Hold (hot coil) AC [VA/W]   DC [W]	
	AC [VA/W]	DC [W]
24	14/8	8

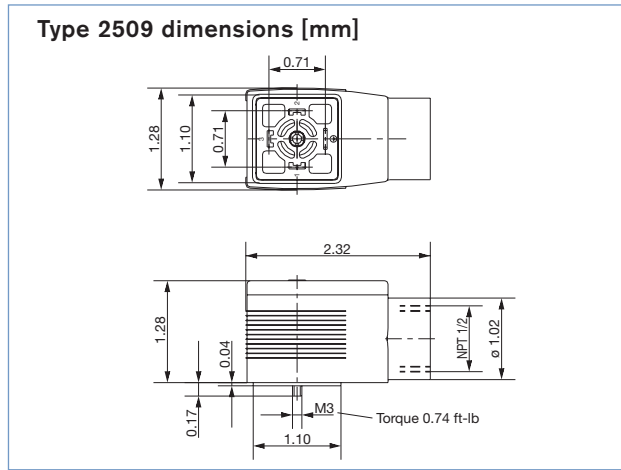
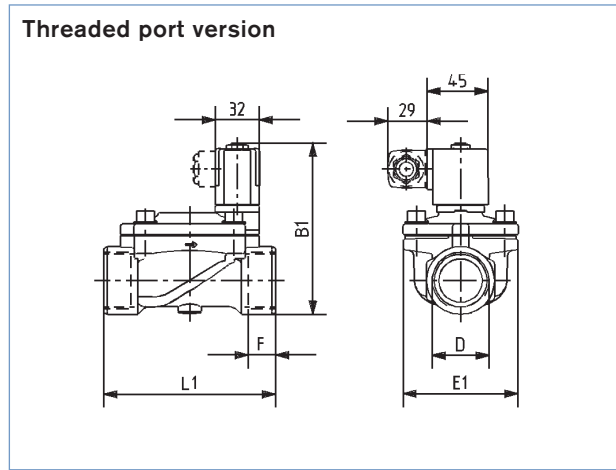
### Technical data

<b>Orifice</b>	1/2" - 2" (DN 13 - 50 mm)
<b>Body material</b>	
Threaded port	Brass
Flange	Grey cast iron
<b>Inner part valve</b>	Stainless steel, brass
<b>Seal material</b>	NBR, EPDM, FKM
<b>Media</b>	
NBR	Neutral media, such as compressed air, water
EPDM	Oil and fat-free media
FKM	Hot air, oxygen, per-solutions
<b>Media temperature</b>	
NBR	14°F to 176°F (-10°C to +80°C)
EPDM	-40°F to 248°F (-40°C to +120°C)
FKM	14°F to 248°F (-10°C to +120°C)
<b>Ambient temperature</b>	Max. 131°F (+55°C)
<b>Voltage tolerance</b>	±10 %
<b>Duty cycle</b>	Continuous operation 100% ED
<b>Electrical connection</b>	Tag connector acc. to DIN 43650 Form A for cable plugs Type 2508 (see Accessories)
<b>Protection class</b>	IP 65 with cable plug
<b>Installation</b>	As required, preferably with actuator upright
<b>Response times<sup>1)</sup></b>	0.1 - 4 seconds (depending on orifice, pressure and viscosity)

1) Measured at valve outlet at 87 PSI and 68°F (+20°C).

Opening: pressure build-up 0 to 90%, Closing: pressure relief 100 to 10%

Dimensions [mm]



Threaded port						
DN	D	B1	B1*	E1	F	L1
13	NPT 1/2	100.0	120.0	40	14	65
20	NPT 3/4	107.5	127.5	60	16	100
25	NPT 1	116.0	136.0	70	18	115
32	NPT 1 1/4	126.5	146.5	85	20	126
40	NPT 1 1/2	135.5	155.5	85	22	126
50	NPT 2	157.2	177.2	115	24	164

B1\* Version with manual override, available on request

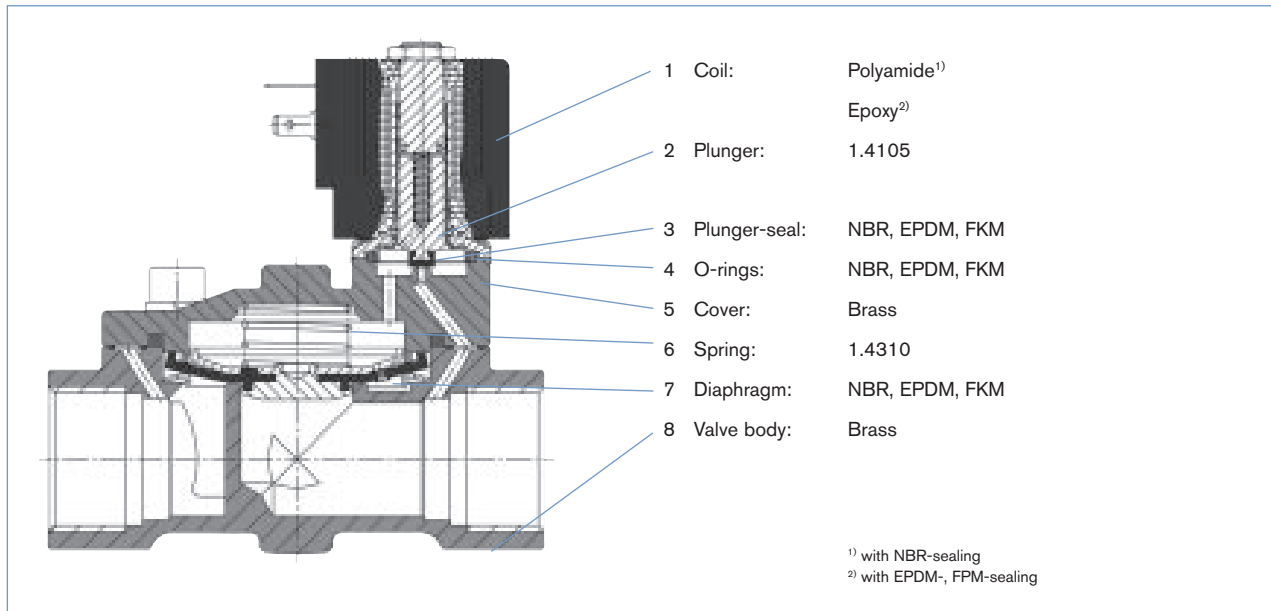
Ordering chart for valves (other versions on requests)

Circuit function A (Type 5281, normally closed), brass body, supplied with cable plug

Circuit function	Orifice [mm]	Port connection	C <sub>v</sub> value water [GPM]	Pressure range [PSI]	Voltage/frequency [V/Hz]	Item no. UL listed / FM C1 Div1 / CSA / w/Type 2509 1/2 conduit connection	Item no. UL recognized w/Type 2508 DIN cable plug
<b>A</b> 2/2-way valve NC 	13	NPT 1/2	4.7	2.9 – 230	024/VDC	457 395	456 864
					024/60	457 396	456 865
					120/60	457 397	456 866
					240/60	457 398	456 867
	20	NPT 3/4	5.8	2.9 – 230	024/VDC	457 399	456 868
					024/60	457 400	456 869
					120/60	457 401	456 870
					240/60	457 402	456 871
	25	NPT 1	11.7	2.9 – 230	024/VDC	457 403	456 872
					024/60	457 404	456 873
					120/60	457 405	456 874
					240/60	457 406	456 875
	32	NPT 1 1/4	23.5	2.9 – 230	024/VDC	457 407	456 876
					024/60	457 408	456 877
					120/60	457 409	456 878
					240/60	457 410	456 879
	40	NPT 1 1/2	23.5	2.9 – 230	024/VDC	457 411	456 880
					024/60	457 412	456 881
					120/60	457 413	456 882
					240/60	457 414	456 883
	65	NPT 2	47.1	2.9 – 230	024/VDC	457 415	456 884
					024/60	457 416	456 885
					120/60	457 417	456 886
					240/60	457 418	456 887

Note: Versions with manual override available on request. FKM and EPDM seals are also available on request.

## Materials



### **i** Further versions on request

**Approvals**

UL/UR/CSA, ATEX-Ex, UL-fire protection, European gas approval

**Voltage**

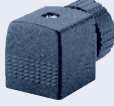
110/50, other non-standard voltages

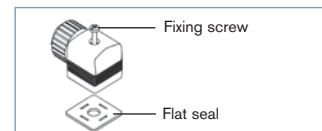
**Port connection**

NPT, Rc

### Ordering chart for accessory

#### Cable plug Type 2508 according to DIN EN 175301-803 Form A

	Circuitry	Voltage / frequency	Item no.
	None (standard)	0 - 250 V AC/DC	008 376
	further versions see datasheet Type 2508		



The delivery of a cable plug includes the flat seal and the fixing screw. For other cable plug versions acc. to DIN EN 175301-803 Form A (previously DIN 43650), see separate datasheet Type 2508.