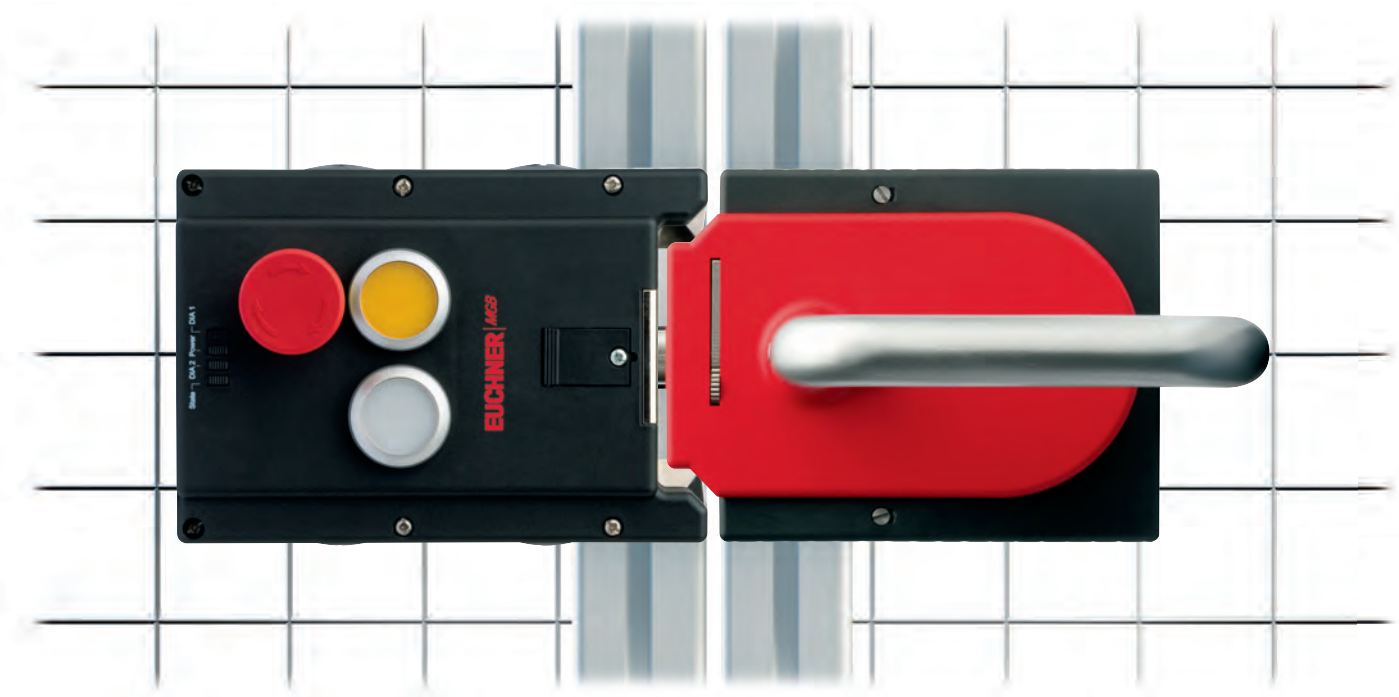
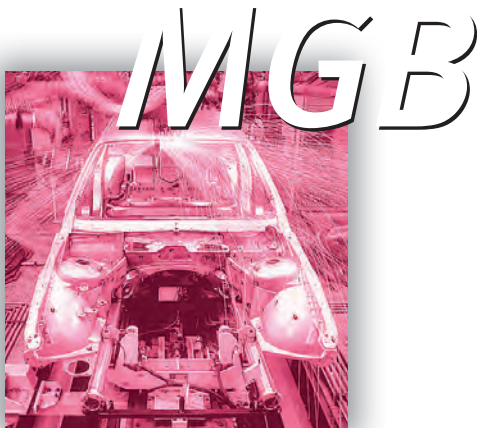


Multifunctional Gate Box

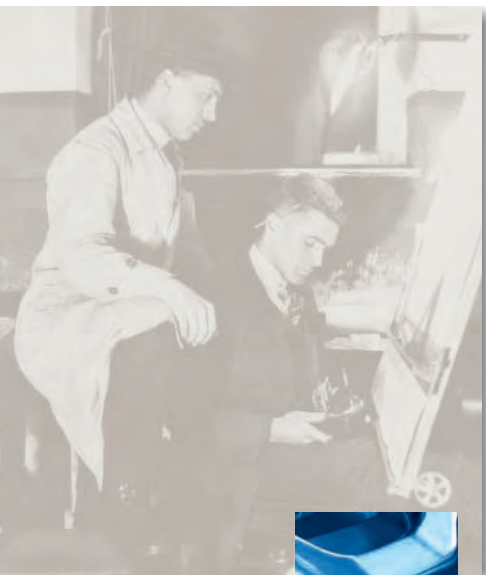


More than safety.

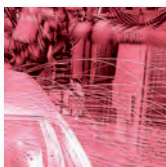


EUCHNER

More than safety.



Emil Euchner, the company's founder and inventor of the multiple limit switch, circa 1928.



Around the world – the Swabian specialists in motion sequence control for mechanical and systems engineering.

EUCHNER's history began in 1940 with the establishment of an engineering office by Emil Euchner. Since that time, EUCHNER has been involved in the design and development of switchgear for controlling a wide variety of motion sequences in mechanical and systems engineering. In 1953, Emil Euchner founded EUCHNER + Co., a milestone in the company's history. In 1952, he developed the first multiple limit switch – to this day a symbol of the enterprising spirit of this family-owned company.

Automation – Safety – ManMachine

Today, our products range from electromechanical and electronic components to complex system solutions. With this wide range of products we can provide the necessary technologies to offer the right solution for special requirements – regardless of whether these relate to reliable and precise positioning or to components and systems for safety engineering in the automation sector.

EUCHNER products are sold through a world-wide sales network of competent partners. With our closeness to the customer and the guarantee of reliable solutions throughout the globe, we enjoy the confidence of customers all over the world.

Quality, reliability, precision

Quality, reliability and precision are the hallmarks of our corporate philosophy. They represent concepts and values to which we feel totally committed.

At EUCHNER, quality means that all our employees take personal responsibility for the company as a whole and, in particular, for their own field of work. This individual commitment to perfection results in products which are ideally tailored to the customers' needs and the requirements of the market. After all: our customers and their needs are the focus of all our efforts. Through efficient and effective use of resources, the promotion of personal initiative and courage in finding unusual solutions to the benefit of our customers, we ensure a high level of customer satisfaction. We familiarize ourselves with their needs, requirements and products and we learn from the experiences of our customers' own customers.

EUCHNER – More than safety.



Quality – made by EUCHNER

Multifunctional Gate Box MGB

| | |
|--|-----------|
| General Information | 4 |
| System Overview | 6 |
| Components of the Safety System MGB | 9 |
| Complete MGB sets in overview | 9 |
| Individual MGB modules in overview | 10 |
| Installation example | 11 |
| Interlocking modules | 12 |
| Locking modules | 14 |
| Handle module | 16 |
| Escape release module | 17 |
| Technical Data | 18 |
| Connection Examples | 19 |
| Item Index | 20 |
| Product Guide | 21 |

A handle on the future

The MGB (**Multifunctional Gate Box**) is a unique interlocking or guard locking system for the protection of safety doors on machines and systems.

The MGB offers that little bit more: it is more than a safety switch, more than a bolt, and offers a lot more functionality!

A system that can grow with your needs

Even the basic system comprising handle module and evaluation module (as interlocking module or locking module) includes numerous functions.

Whether interlocking, guard locking, escape release or other functions such as buttons for start/stop, emergency stop, etc. – The MGB meets all your requirements for safety-related applications.

And if your needs grow, the MGB system grows with them. Due to the sophisticated modular design, the evaluation module can quickly become a small operator panel.

Be certain of compliance with new standards

Performance Level e in accordance with EN ISO 13849-1 or SIL3 in accordance with EN 62061 – even with the basic system you can comply with all these requirements. Also the requirements of EN 1088 for protection against tampering are met automatically, as each evaluation module is permanently assigned to a handle module.

Safety remains the most important goal

Are you locked in inside the danger area? The optional escape release is intuitive to operate! Whether in the event of a power failure or active guard locking – the red door handle is simply pressed down to leave the danger area quickly.

For protection when working in the danger area you can block the bolt tongue using up to 3 padlocks in the integrated lockout bar. Unintentional activation of the interlocking/guard locking is prevented.



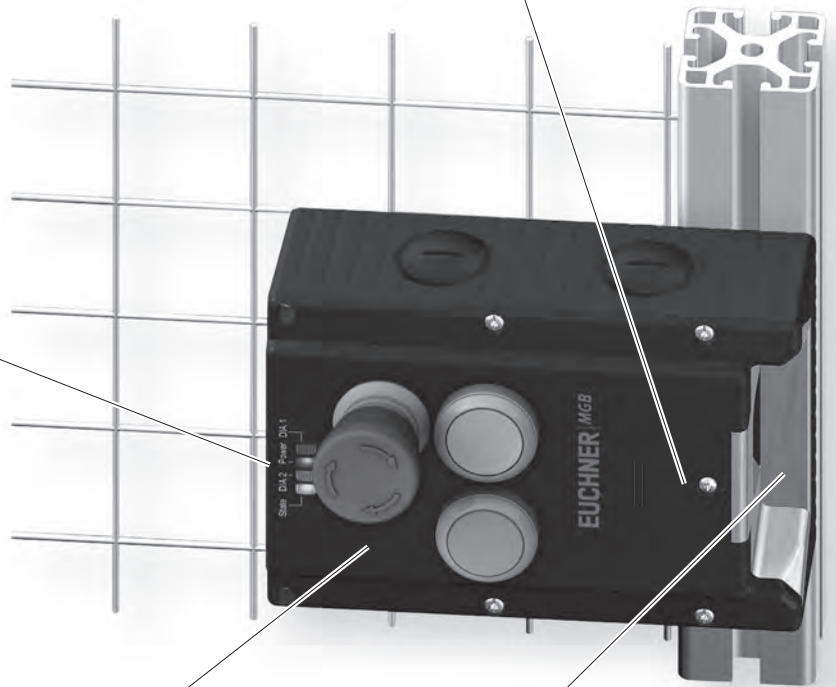
**Evaluation module
(as interlocking module or locking module)**

Mechanical release

For releasing the guard locking e.g. in case of a power failure.

Everything at a glance

The LED display continuously provides you with all important system information. Diagnostics and status check at a glance!



Space for ideas...

Controls and indicators in the housing cover make the MGB an all-rounder. With start button, enable and emergency stop or other functions, the evaluation module becomes a small control terminal.

Solid door stop

A mechanical door stop is permanently integrated into the evaluation module. There is a marking on the stop that makes adjustment easier.



Easy to mount and sophisticated design

All MGB modules are optimized for use on fences made of aluminum profiles or steel frames. The MGB is equally suitable for doors hinged on the left or right. Both mounting and changing the actuating direction can be undertaken particularly quickly and easily.

The adjustment of safety doors in fences changes over time. With ± 4 mm tolerance in the x direction as well as ± 5 mm in the z direction, the MGB is right there where the problem starts. Nevertheless, if a safety door should be even more out of adjustment, the large funnel in the evaluation module "catches" the bolt tongue and guides it into the center position.

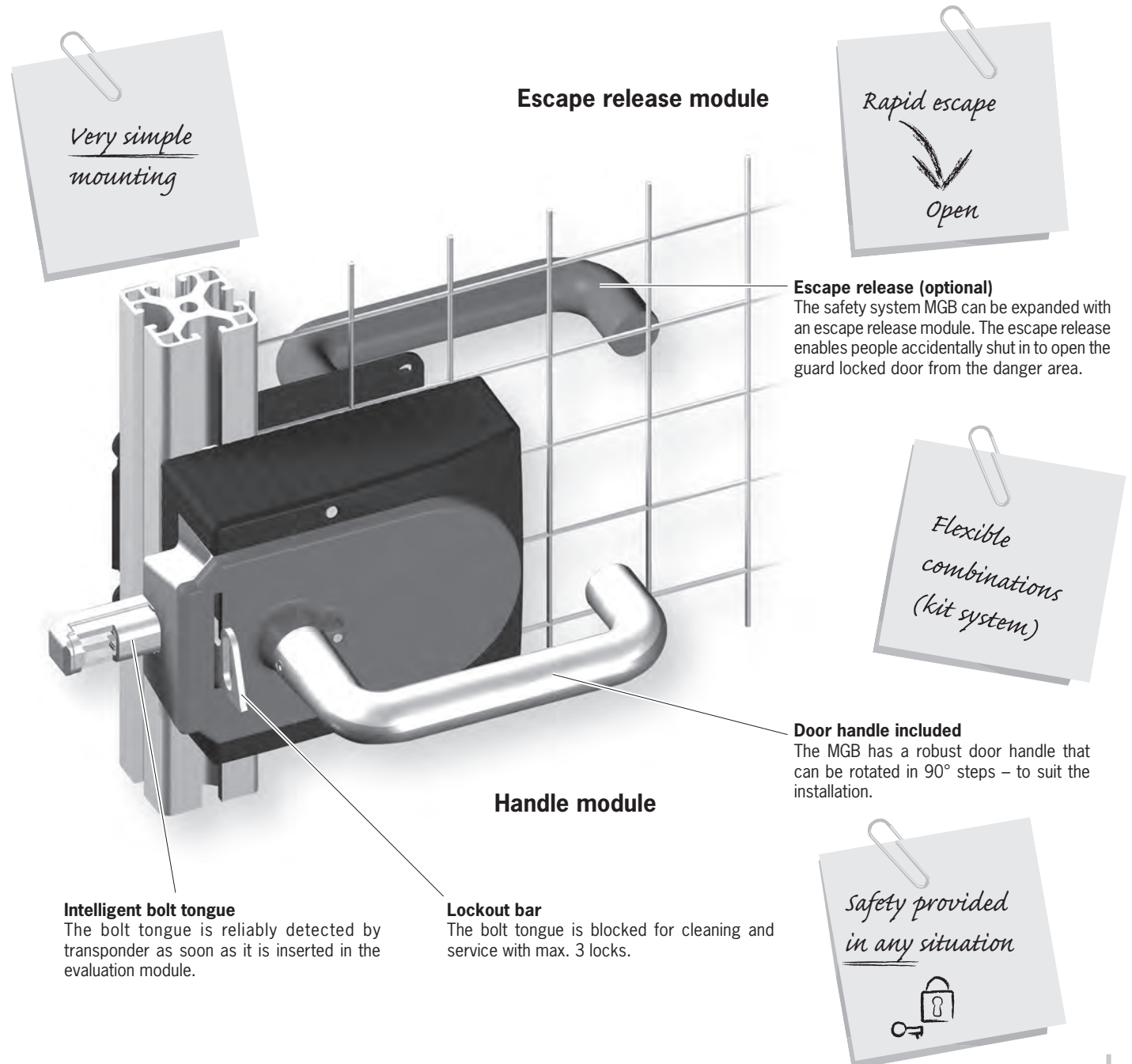
Bolt tongue, bolt guide and insertion funnel will also withstand occasional slamming of the door. Robust metal parts protect the MGB against this problem as well. To prevent injuries, the bolt tongue remains retracted with the door open.

You always have an overview

Four built-in LEDs continuously provide all the necessary system information: power supply available, door closed, bolt tongue inserted, guard locking activated, diagnostics messages – everything can be seen clearly at a glance. This information is of course also available to the control system.

The advantages of the Multifunctional Gate Box MGB

- ▶ Optimized for mounting on profiles from 30 - 50 mm
- ▶ Tolerance ± 4 mm in x direction, ± 5 mm in z direction
- ▶ Locking force 2000 N
- ▶ The MGB withstands forces amounting up to 300 Joule
- ▶ Optional escape release with door handle
- ▶ Optional buttons and indicators can be integrated directly into the housing
- ▶ Stable metal stop prevents damage with bolt tongue extended
- ▶ Marking on the evaluation module as adjustment aid
- ▶ The actuating direction is easy to change without disassembly
- ▶ Hidden mounting holes with slots and metal mounting surfaces
- ▶ Housing material made of high quality, reinforced plastic
- ▶ Escape release can also be used on doors with double rebate



*Very simple
mounting*

Escape release module

Rapid escape
↓
Open

Escape release (optional)

The safety system MGB can be expanded with an escape release module. The escape release enables people accidentally shut in to open the guard locked door from the danger area.

*Flexible
combinations
(kit system)*

Door handle included

The MGB has a robust door handle that can be rotated in 90° steps – to suit the installation.

Handle module

Intelligent bolt tongue







The bolt tongue is reliably detected by transponder as soon as it is inserted in the evaluation module.

Lockout bar

The bolt tongue is blocked for cleaning and service with max. 3 locks.


*Safety provided
in any situation*



| Evaluation modules | |
|---|--|
|  | <p>Cat. 4 PLe</p> <p>Interlocking module</p> <ul style="list-style-type: none"> ▶ Without controls (see page 12) |
|  | <p>Cat. 4 PLe</p> <p>Interlocking module</p> <ul style="list-style-type: none"> ▶ With EMERGENCY STOP device and 2 illuminated buttons (see page 13) |
|  | <p>Cat. 4 PLe </p> <p>Locking module</p> <ul style="list-style-type: none"> ▶ Without controls (see page 14) |
|  | <p>Cat. 4 PLe </p> <p>Locking module</p> <ul style="list-style-type: none"> ▶ With EMERGENCY STOP device and 2 illuminated buttons (see page 15) |

Explanation of symbols

Safety category/guard locking

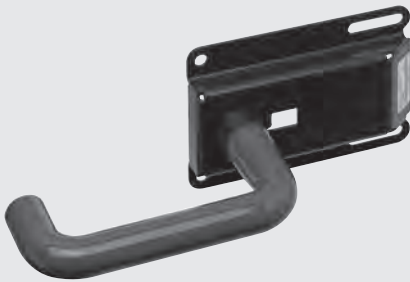
| | |
|---|--|
| <p>Cat. 4 PLe</p> | <p>Suitable up to category 4 according to EN 954-1 and Performance Level PLe according to EN ISO 13849-1</p> |
|  | <p>Guard locking for personal protection</p> |

Handle module



Handle module
▶ With lockout bar
(see page 16)








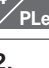
Escape release module



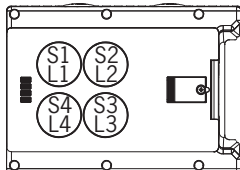
Escape release module
▶ With red handle
(see page 17)

Complete MGB sets in overview

Ordering table

| Order no./ item | Evaluation modules | | | | | Handle module 100 464 MGB-H-AA1A1-R-100464 (see page 16) | Escape release module 100 465 MGB-E-A-100465 (see page 17) |
|--|---|---|---|---|---|--|--|
| | Interlocking module (without guard locking, see page 12 and 13) | Locking module (mechanical guard locking, see page 14 and 15) | Locking module (electrical guard locking, see page 14 and 15) | Additional functions | | | |
| | | | | 2 illuminated buttons (S2 and S3, in the evaluation module) | EMERGENCY STOP device (S1, in the evaluation module) | | |
| 105 778 MGB-LOH-AR-R-105778 | Cat. 4 PLe | | | | | ● | |
| 105 779 MGB-LOH-AR-R-105779 | Cat. 4 PLe | | | ● | ● | ● | |
| 105 780 MGB-LOHE-AR-R-105780 | Cat. 4 PLe | | | | | ● | ● |
| 105 781 MGB-LOHE-AR-R-105781 | Cat. 4 PLe | | | ● | ● | ● | ● |
| 105 782 MGB-L1H-AR-R-105782 | | Cat. 4 PLe |  | | | ● | |
| 105 783 MGB-L1H-AR-R-105783 | | Cat. 4 PLe |  | | | ● | |
| 105 784 MGB-L1HE-AR-R-105784 | | Cat. 4 PLe |  | | | ● | ● |
| 105 785 MGB-L1HE-AR-R-105785 | | Cat. 4 PLe |  | | | ● | ● |
| 105 786 MGB-L2H-AR-R-105786 | | | Cat. 4 PLe |  | | ● | |
| 105 787 MGB-L2H-AR-R-105787 | | | Cat. 4 PLe |  | | ● | |
| 105 788 MGB-L2HE-AR-R-105788 | | | Cat. 4 PLe |  | | ● | ● |
| 105 789 MGB-L2HE-AR-R-105789 | | | Cat. 4 PLe |  | | ● | ● |

Description of the individual modules starting from page 12.

| | | |
|------------------|--|---------------------|
| Key to symbols | ● | Included in the set |
| Button positions |  | |

Individual MGB modules in overview

Evaluation modules

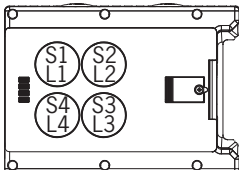
| Guard locking | Order no./ item | 2 illuminated buttons (S2 and S3, in the evaluation module) | EMERGENCY STOP device (S1, in the evaluation module) |
|---------------|--|--|---|
| Without | 105 331 MGB-LO-AR-AA1A1-M-105331 | | |
| | 106 106 MGB-LO-AR-AA2A1-M-106106 | ● | ● |
| Mechanical | 104 302 MGB-L1-AR-AA1A1-M-104302 | | |
| | 105 328 MGB-L1-AR-AA2A1-M-105328 | ● | ● |
| Electrical | 104 303 MGB-L2-AR-AA1A1-M-104303 | | |
| | 105 797 MGB-L2-AR-AA2A1-M-105797 | ● | ● |

Handle module

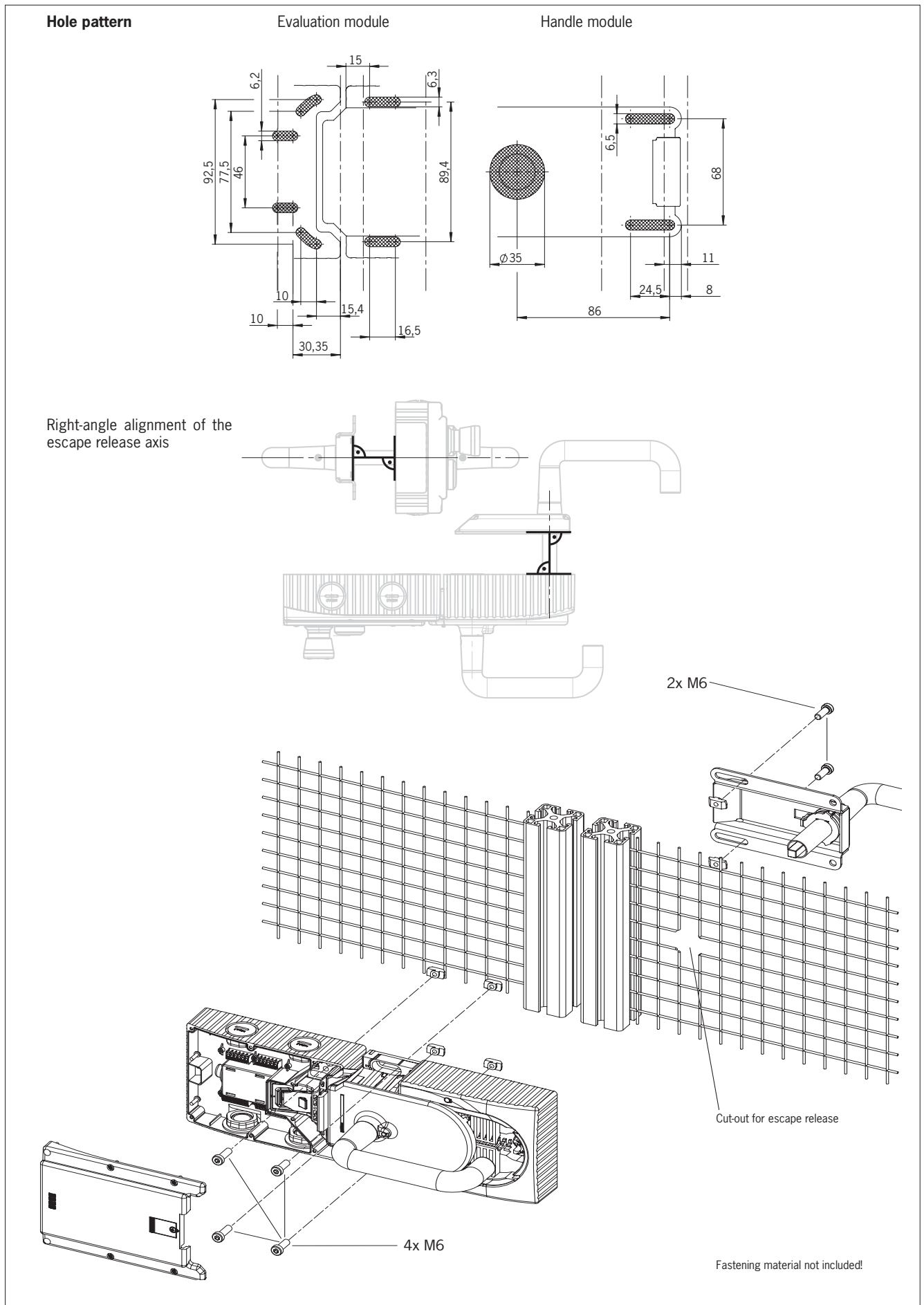
| Order no./ item | Type |
|--|--|
| 100 464 MGB-H-AA1A1-R-100464 | With locking arm, black housing with red cover |

Escape release

| Order no./ item | Type |
|----------------------------------|------------|
| 100 465 MGB-E-A-100465 | Red handle |

| | | |
|-------------------------|--|---------------------|
| Key to symbols | ● | Available functions |
| Button positions |  | |

Installation example



Interlocking module MGB-LO...

- ▶ Solid door stop
- ▶ LED display
- ▶ 2 buttons optional
- ▶ EMERGENCY STOP device optional



Door stop

A mechanical door stop is permanently integrated into the evaluation module MGB-LO... There is a marking on the stop that makes adjustment easier.

LED display

The LED display indicates all important system and status information.

Buttons (optional)

- ▶ S2 1 NO contact, yellow, illuminated
- ▶ S3 1 NO contact, white, illuminated

EMERGENCY STOP device (optional)

- ▶ S1 2 positively driven contacts, EMERGENCY STOP with turn-to-reset, non-illuminated

Monitoring outputs

- ▶ O1 Door position
- ▶ O2 Bolt position
- ▶ O3 Not used
- ▶ O4 Diagnostic

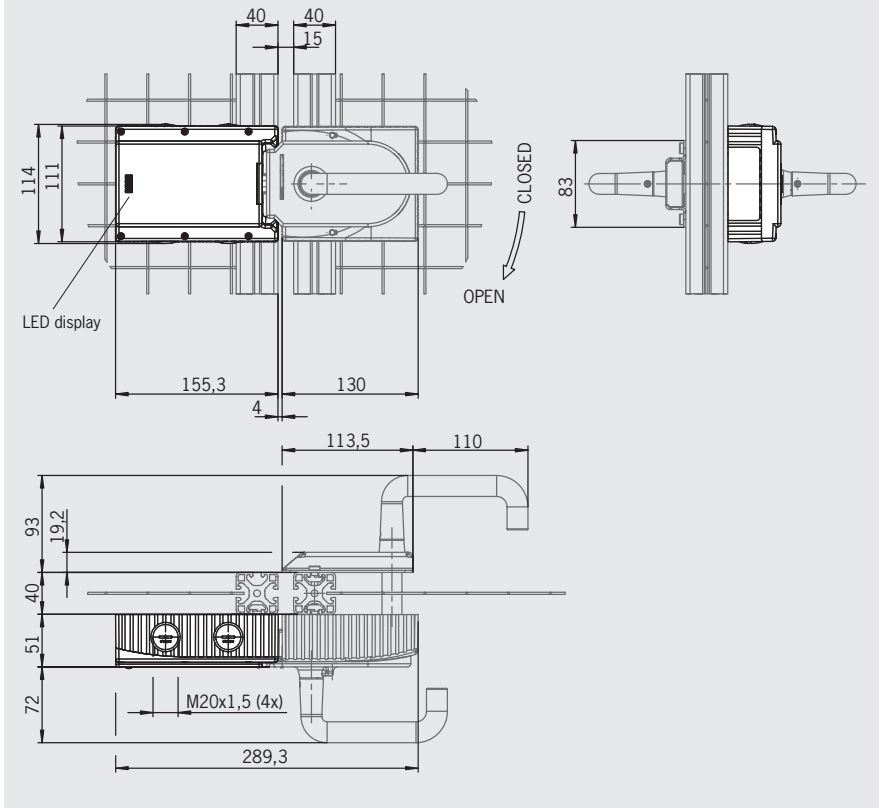
Ordering guide See page 9 and 10

Technical data See page 18

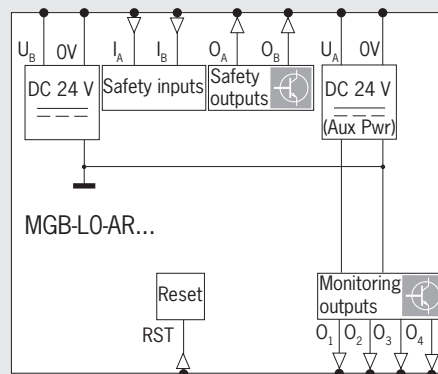
Interlocking module MGB-LO... Without controls

Cat.
4
PLe

Dimension drawing (Diagram shows door hinged on the right)



Block diagram



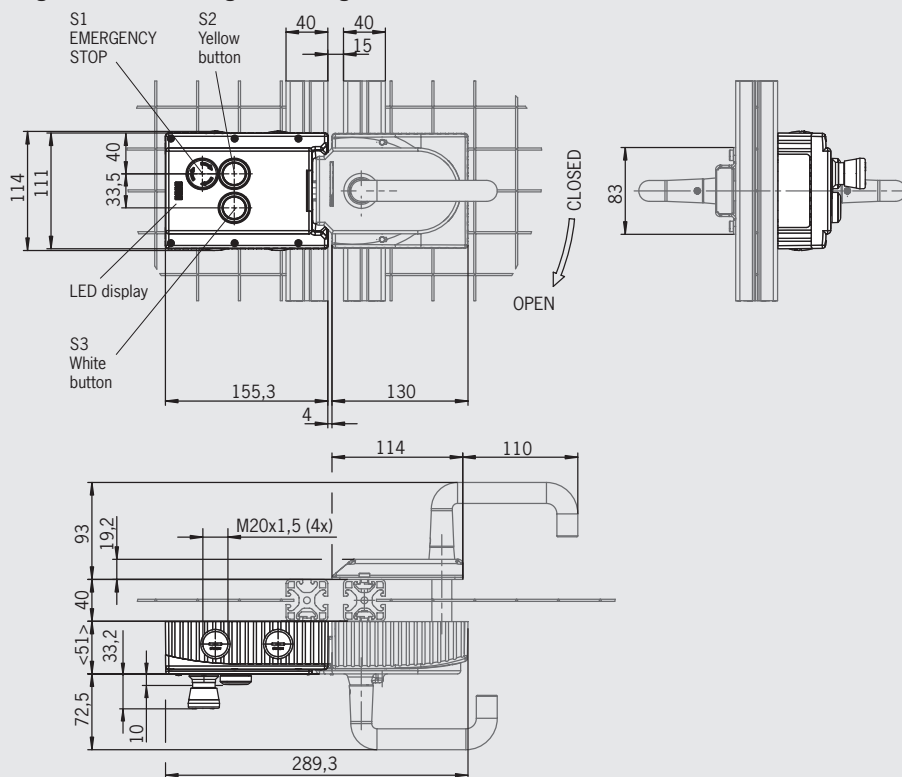
Ordering table

| Series | Guard locking | Type | Order no./item |
|-----------|---------------|------------------|--|
| MGB-LO... | Without | Without controls | 105 331 MGB-LO-AR-AA1A1-M-105331 |

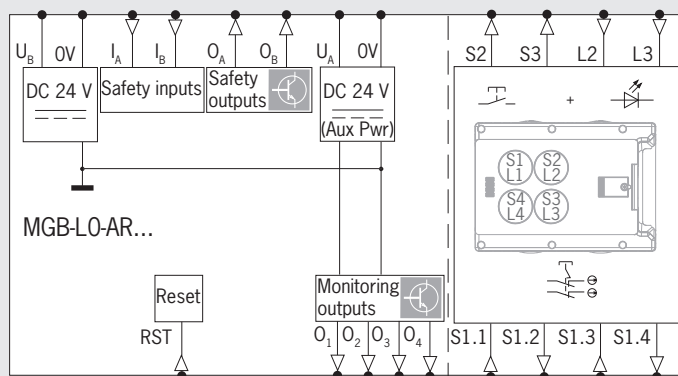
Interlocking module MGB-LO...
With 2 buttons and EMERGENCY STOP device

Cat.
4
PLe

Dimension drawing (Diagram shows door hinged on the right)



Block diagram



Ordering table

| Series | Guard locking | Type | Order no./item |
|-----------|---------------|--|--|
| MGB-LO... | Without | With 2 buttons and EMERGENCY STOP device | 106 106 MGB-LO-AR-AA2A1-M-106106 |

Locking module MGB-L1.../MGB-L2...

- ▶ Guard locking
- ▶ Solid door stop
- ▶ Mechanical release
- ▶ LED display
- ▶ 2 buttons optional
- ▶ EMERGENCY STOP device optional



Door stop

A mechanical door stop is permanently integrated into the evaluation module MGB-L1.../MGB-L2... There is a marking on the stop that makes adjustment easier.

Mechanical release

For releasing the guard locking, e.g. in case of a power failure.

LED display

The LED display indicates all important system and status information.

Buttons (optional)

- ▶ S2 1 NO contact, yellow, illuminated
- ▶ S3 1 NO contact, white, illuminated

EMERGENCY STOP device (optional)

- ▶ S1 2 positively driven contacts, EMERGENCY STOP with turn-to-reset, non-illuminated

Guard locking types

MGB-L1... The locking arm is held in the locked position by spring force and is unlocked by solenoid force (closed-circuit current principle).

MGB-L2... The locking arm is held in the locked position by solenoid force and is unlocked by spring force when the solenoid is switched off (open-circuit current principle).

Monitoring outputs

- ▶ O1 Door position
- ▶ O2 Bolt position
- ▶ O3 Position of the guard locking
- ▶ O4 Diagnostic output

Ordering guide See page 9 and 10

Technical data See page 18

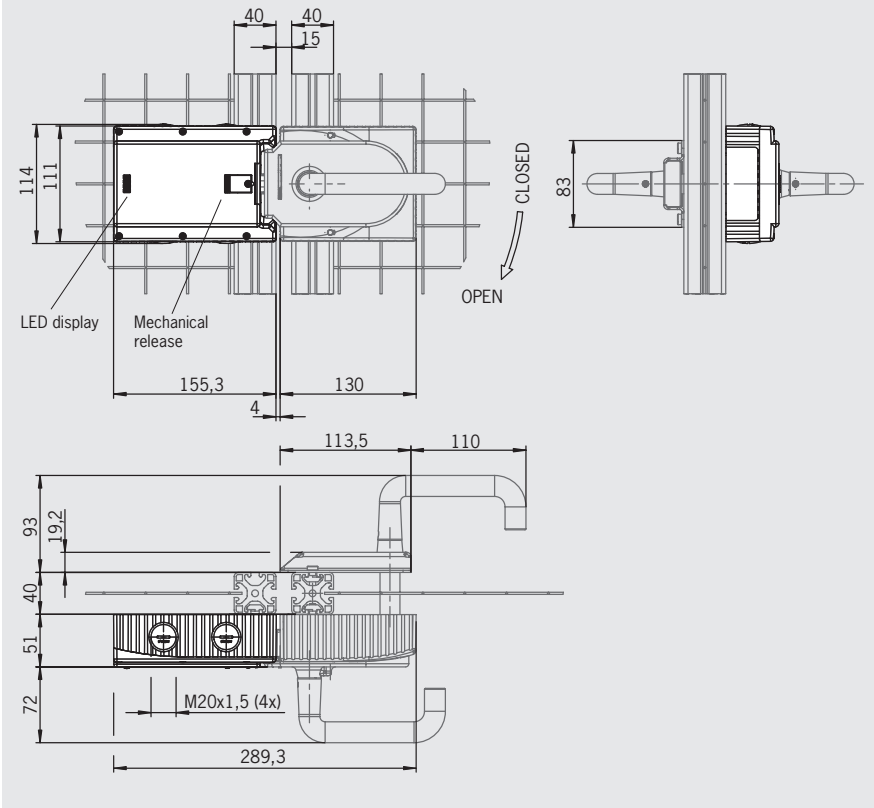
Ordering table

| Series | Guard locking | Type | Order no./item |
|-----------|---------------|------------------|--|
| MGB-L1... | Mechanical | Without controls | 104 302 MGB-L1-AR-AA1A1-M-104302 |
| MGB-L2... | Electrical | Without controls | 104 303 MGB-L2-AR-AA1A1-M-104303 |

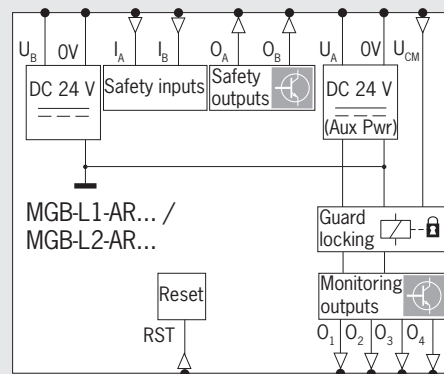
Locking module MGB-L1.../MGB-L2... Without controls



Dimension drawing (Diagram shows door hinged on the right)



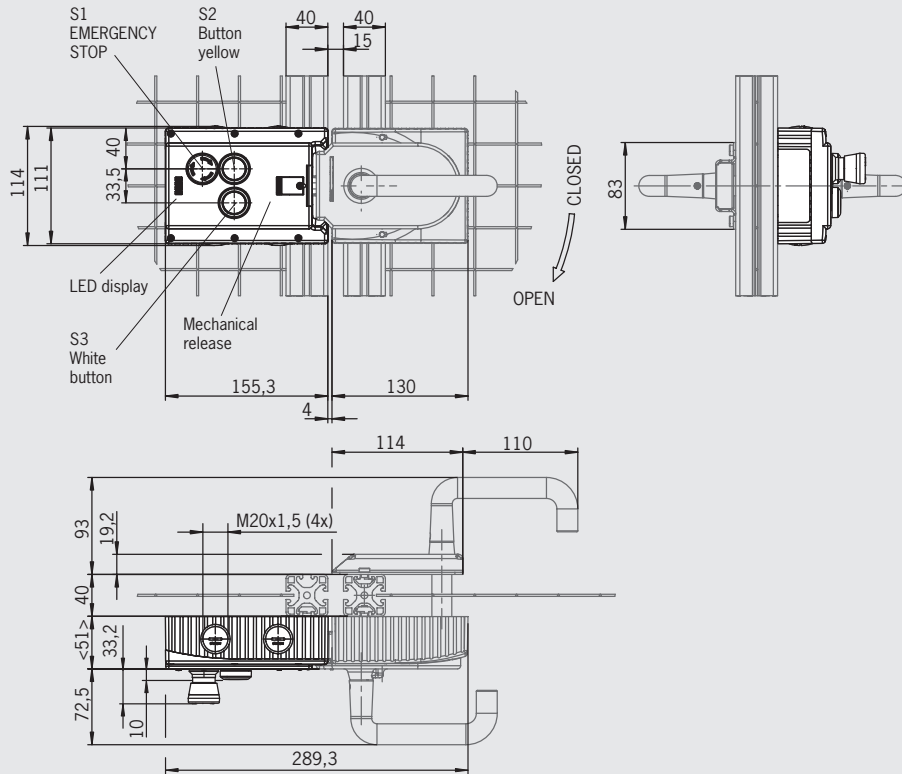
Block diagram



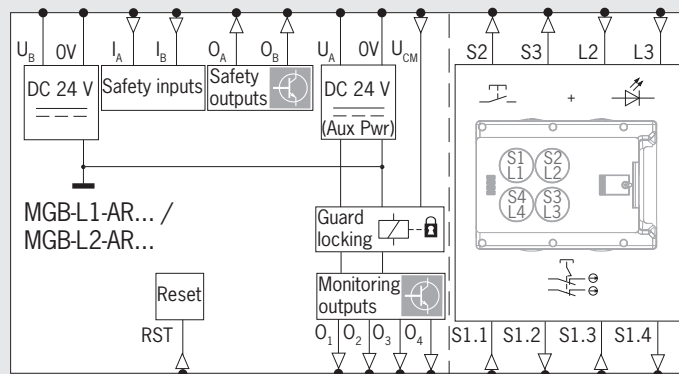
Locking module MGB-L1.../MGB-L2...
With 2 buttons and EMERGENCY STOP device

Cat. 4
PLe 

Dimension drawing (Diagram shows door hinged on the right)



Block diagram



Ordering table

| Series | Guard locking | Type | Order no./item |
|-----------|---------------|--|--|
| MGB-L1... | Mechanical | With 2 buttons and EMERGENCY STOP device | 105 328 MGB-L1-AR-AA2A1-M-105328 |
| MGB-L2... | Electrical | With 2 buttons and EMERGENCY STOP device | 105 797 MGB-L2-AR-AA2A1-M-105797 |

Handle module MGB-H...

- ▶ Intelligent bolt tongue
- ▶ Lockout bar
- ▶ Door handle



Bolt tongue

The bolt tongue is reliably detected by transponder as soon as it is inserted in the evaluation module.

Lockout bar

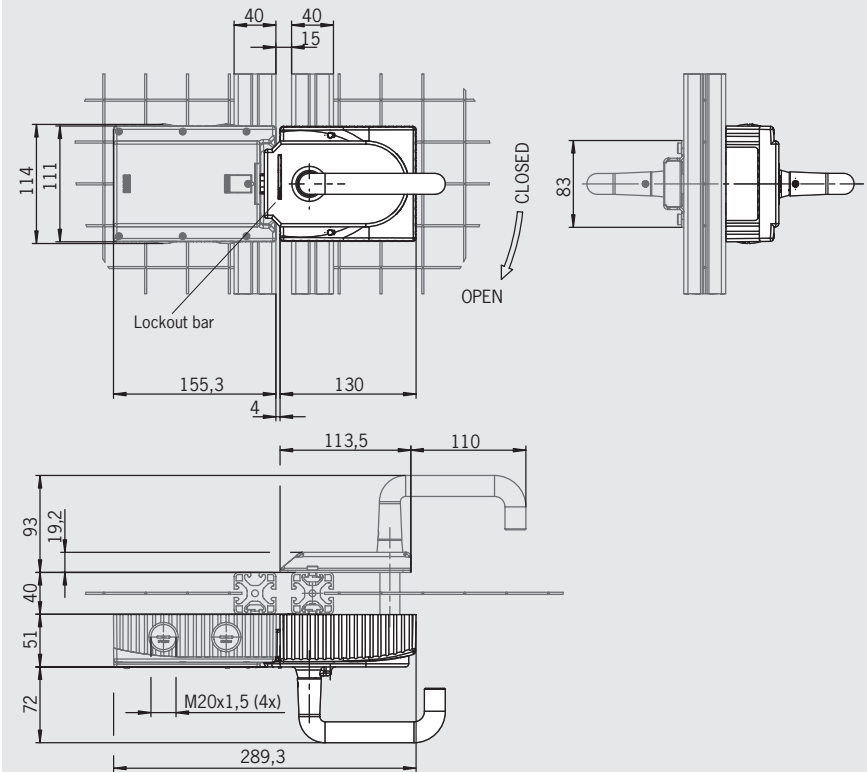
The bolt tongue can be blocked for cleaning and service with max. 3 locks.

Door handle

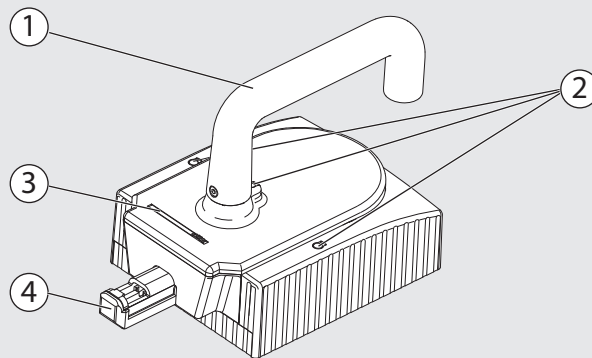
To suit all installations, the MGB has a robust door handle that can be rotated in 90° steps. The actuating direction can be changed for doors hinged on the left and on the right.

Handle module MGB-H...

Dimension drawing (Diagram shows door hinged on the right)



Ordering guide See page 9 and 10



- ① Door handle
- ② Locking pins for housing cover and handle adjustment
- ③ Lockout bar
- ④ Bolt tongue

Ordering table

| Series | Type | Order no./item |
|----------|--|--|
| MGB-H... | With lockout bar, black housing with red cover | 100 464 MGB-H-AA1A1-R-100464 |

Escape release module MGB-E...

- ▶ Escape release from the danger area
- ▶ Signal red door handle

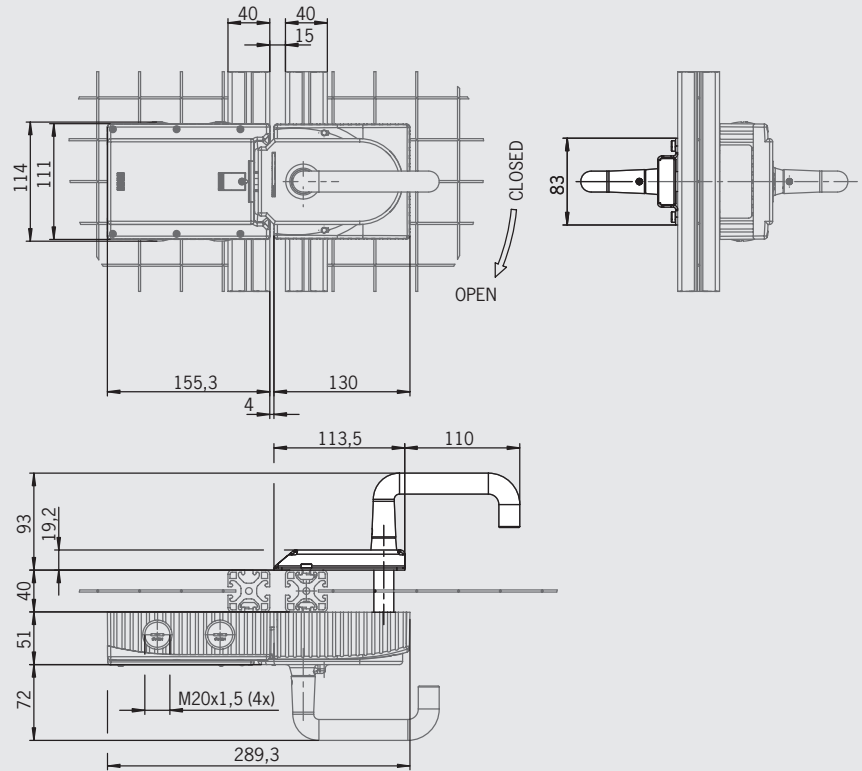


Escape release

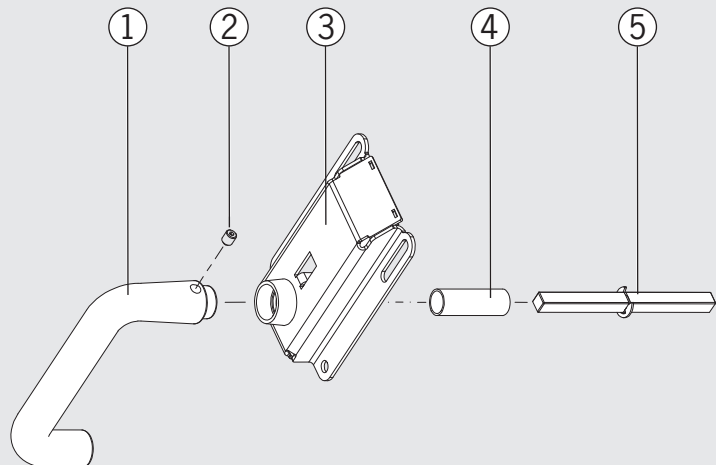
The safety system MGB can be equipped with an escape release module. The escape release enables people shut in to open the guard locked door from the danger area.

Escape release module MGB-E...

Dimension drawing (Diagram shows door hinged on the right)



Ordering guide See page 9 and 10



- ① Door handle
- ② Setscrew
- ③ Cover
- ④ Protective sleeve
- ⑤ Actuation axis, length 110 mm

Ordering table

| Series | Type | Order no./item |
|----------|-----------------|---------------------------------|
| MGB-E... | With red handle | 100 465 MGB-E-A100465 |

Technical data safety system MGB

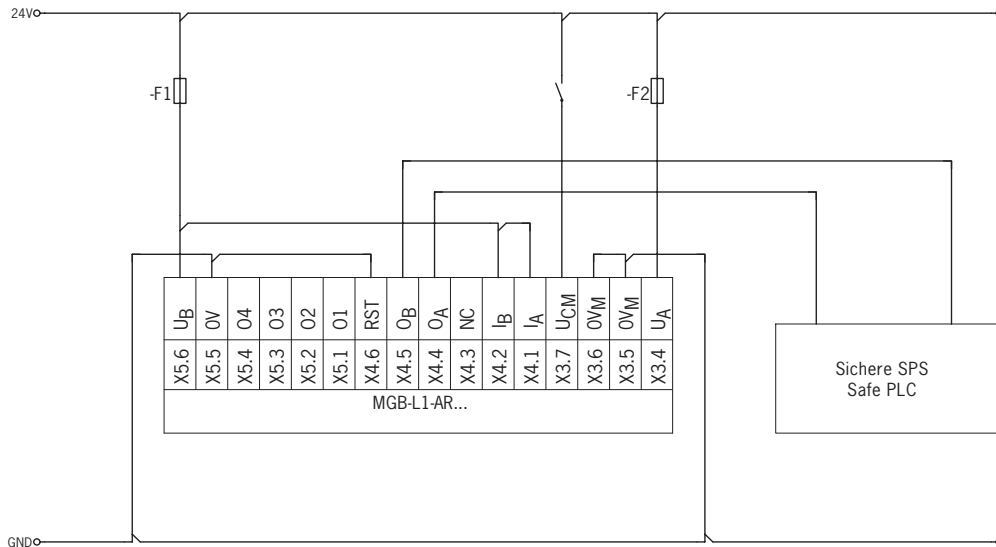
| Parameter | Value | | | Unit |
|---|--|------|-------|------|
| | min. | typ. | max. | |
| Housing material | Glass fiber reinforced plastic die-cast zinc, nickel-plated Stainless steel | | | |
| Dimensions | See dimension drawings | | | mm |
| Weight | | | | |
| - Locking module | 0.75 | | | kg |
| - Handle module | 1.00 | | | |
| - Escape release | 0.50 | | | |
| Ambient temperature at $U_B = DC\ 24\ V$ | -20 | - | +55 | °C |
| Degree of protection acc. to EN IEC 60529 | IP 54 | | | |
| Safety class according to EN IEC 61558 | III, degree of contamination 3 | | | |
| Installation position | Any | | | |
| Locking force | 2000 | | | N |
| Connection type | 4 cable entries M20x1.5 | | | |
| Operating voltage U_B (reverse polarity protected, regulated, residual ripple < 5 %) | 24 +10% / -15% | | | V DC |
| Auxiliary voltage U_A (reverse polarity protected, regulated, residual ripple < 5 %) | 24 +10% / -15% | | | |
| Current consumption I_B (no load on any outputs) | 80 | | | mA |
| Interlocking solenoid current consumption I_A (with active guard locking) | 350 | | | |
| - Additional current consumption for version with controls and indicators in the cover | Max. 20 | | | |
| Safety outputs OA/OB | Semiconductor outputs, p-switching, short circuit-proof | | | |
| Output voltage $U(OA)/U(OB)$ ¹⁾ | | | | |
| HIGH $U_{(OA)}/U_{(OB)}$ | U_B-2V | - | U_B | V DC |
| LOW $U_{(OA)}/U_{(OB)}$ | 0 | - | 1 | |
| Switching current per safety output | 1 | - | 200 | mA |
| Utilization category according to EN IEC 60947-5-2 | DC-13 24 V 200 mA Caution: outputs must be protected with a free-wheeling diode in case of inductive loads. | | | |
| Classification acc. to EN IEC 60947-5-3 | PDF-M | | | |
| Monitoring outputs ¹⁾ | p-switching, short circuit-proof | | | |
| - Output voltage | U_A-2V | - | U_A | V DC |
| - Max. load | - | - | 200 | mA |
| Rated insulation voltage U_i | 30 | | | V |
| Rated impulse withstand voltage U_{imp} | 1.5 | | | kV |
| Resilience to vibration | As per EN IEC 60947-5-3 | | | |
| Switching frequency | 1 | | | Hz |
| EMC protection requirements | As per EN IEC 60947-5-3 | | | |

1) Values at a switching current of 50 mA without taking into account the cable lengths.

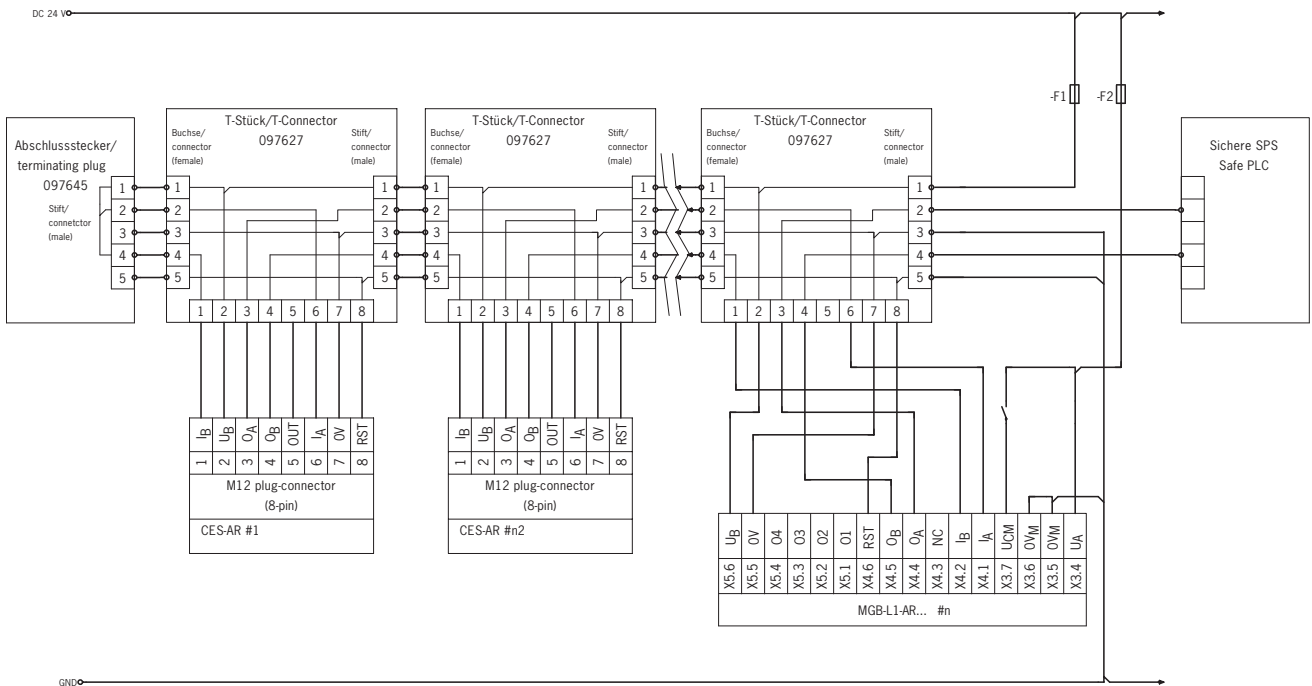
Connection examples

Important: Detailed information on the safety system MGB is available in the system manual for the related evaluation module. The system manual is available at www.euchner.de.

Separate operation



Operation in a CES-AR switch chain



Index by item designation

| Item | Order No. | Page |
|--------------------------|-----------|--------|
| MGB-E-A-100465 | 100 465 | 10, 17 |
| MGB-H-AA1A1-R-100464 | 100 464 | 10, 16 |
| MGB-L0-AR-AA1A1-M-105331 | 105 331 | 10, 12 |
| MGB-L0-AR-AA2A1-M-106106 | 106 106 | 10, 13 |
| MGB-LOH-ARR-105778 | 105 778 | 9 |
| MGB-LOH-ARR-105779 | 105 779 | 9 |
| MGB-LOHE-ARR-105780 | 105 780 | 9 |
| MGB-LOHE-ARR-105781 | 105 781 | 9 |
| MGB-L1-AR-AA1A1-M-104302 | 104 302 | 10, 14 |
| MGB-L1-AR-AA2A1-M-105328 | 105 328 | 10, 15 |
| MGB-L1H-ARR-105782 | 105 782 | 9 |
| MGB-L1H-ARR-105783 | 105 783 | 9 |
| MGB-L1HE-ARR-105784 | 105 784 | 9 |
| MGB-L1HE-ARR-105785 | 105 785 | 9 |
| MGB-L2-AR-AA1A1-M-104303 | 104 303 | 10, 14 |
| MGB-L2-AR-AA2A1-M-105797 | 105 797 | 10, 15 |
| MGB-L2H-ARR-105786 | 105 786 | 9 |
| MGB-L2H-ARR-105787 | 105 787 | 9 |
| MGB-L2HE-ARR-105788 | 105 788 | 9 |
| MGB-L2HE-ARR-105789 | 105 789 | 9 |

Index by order number

| Order No. | Item | Page |
|-----------|--------------------------|--------|
| 100 464 | MGB-H-AA1A1-R-100464 | 10, 16 |
| 100 465 | MGB-E-A-100465 | 10, 17 |
| 104 302 | MGB-L1-AR-AA1A1-M-104302 | 10, 14 |
| 104 303 | MGB-L2-AR-AA1A1-M-104303 | 10, 14 |
| 105 328 | MGB-L1-AR-AA2A1-M-105328 | 10, 15 |
| 105 331 | MGB-L0-AR-AA1A1-M-105331 | 10, 12 |
| 105 778 | MGB-LOH-ARR-105778 | 9 |
| 105 779 | MGB-LOH-ARR-105779 | 9 |
| 105 780 | MGB-LOHE-ARR-105780 | 9 |
| 105 781 | MGB-LOHE-ARR-105781 | 9 |
| 105 782 | MGB-L1H-ARR-105782 | 9 |
| 105 783 | MGB-L1H-ARR-105783 | 9 |
| 105 784 | MGB-L1HE-ARR-105784 | 9 |
| 105 785 | MGB-L1HE-ARR-105785 | 9 |
| 105 786 | MGB-L2H-ARR-105786 | 9 |
| 105 787 | MGB-L2H-ARR-105787 | 9 |
| 105 788 | MGB-L2HE-ARR-105788 | 9 |
| 105 789 | MGB-L2HE-ARR-105789 | 9 |
| 105 797 | MGB-L2-AR-AA2A1-M-105797 | 10, 15 |
| 106 106 | MGB-L0-AR-AA2A1-M-106106 | 10, 13 |

Product Guide

Automation



Position Switches

- ▶ Position Switches
- ▶ Position Switches according to EN 50 041

Precision Multiple Limit Switches

Inductive Limit Switches

Plug Connectors

Trip Rails/Trip Dogs

Inductive Ident Systems

Safety



Safety Switches, Metal Housing

- ▶ Safety Switches NZ/TZ
- ▶ Safety Switches NX/TX

Safety Switches, Plastic Housing

- ▶ Safety Switches NM
- ▶ Safety Switches NP/GP/TP
- ▶ Safety Switches STM
- ▶ Safety Switches STP

Non-Contact Safety Switches

- ▶ Non-Contact Safety Switches CES/CEM,
Transponder Coding
- ▶ Non-Contact Safety Switches CMS,
Magnetic Coding

Safety Products with integrated Bus Interface

Bolts for Safety Guards

Enabling Switches

Safety Relays

- ▶ Safety Relays ESM
- ▶ Modular Safety System ESM-F

Rope Pull Switches

ManMachine



Joystick Switches

Electronic Handwheels

Pendant Stations

- ▶ Pendant Stations HBA
- ▶ Pendant Stations HBE/HBL

Electronic-Key-System

International representation

Australia

Micromax Pty. Ltd.
PO Box 1238
Wollongong NSW 2500
Tel. +61-2-4271-1300
Fax +61-2-4271-8091
micromax@micromax.com.au

Austria

EUCHNER G.m.b.H.
Süddruckgasse 4
2512 Tribuswinkel
Tel. +43-2252-421-91
Fax +43-2252-452-25
info@euchner.at

Benelux

EUCHNER (BENELUX) BV
Visschersbuurt 23
3350 AC Papendrecht
Tel. +31-78-6154-766
Fax +31-78-6154-311
info@euchner.nl

Brazil

EUCHNER Ltda
Av. Prof. Luiz Ignácio Anhaia Mello,
no. 4387
S. Lucas
São Paulo - SP - Brasil
CEP 03295-000
Tel. +55-11-2918-2200
Fax +55-11-2301-0613
euchner@euchner.com.br

Canada

IAC & Associates Inc.
1925 Provincial Road
Windsor, Ontario
N8W 5V7
Tel. +1-519-966-3444
Fax +1-519-966-6160
sales@iacnassociates.com

China

EUCHNER (Shanghai) Trading Co., Ltd.
Unit C, Floor 20
Cross Region Plaza
No. 899 Lingling Road
Xuhui District
Shanghai, 200030
Tel. +86-21-5774-7090
Fax +86-21-5774-7599
info@euchner.com.cn

Czech Republic

EUCHNER electric s.r.o.
Spielberk Office Center
Holandská 8
639 00 Brno
Tel. +420-533-443-150
Fax +420-533-443-153
info@euchner.cz

Denmark

Duelco A/S
Mommarmvej 5
6400 Sønderborg
Tel. +45-7010-1007
Fax +45-7010-1008
info@duelco.dk

Finland

Sähkölehto Oy
Holkkitie 14
00880 Helsinki
Tel. +358-9-774-6420
Fax +358-9-759-1071
office@sahkolehto.fi

France

EUCHNER France S.A.R.L.
Parc d'Affaires des Bellevues
Allée Rosa Luxembourg
Bâtiment le Colorado
95610 ERAGNY sur OISE
Tel. +33-1-3909-9090
Fax +33-1-3909-9099
info@euchner.fr

Hong Kong

Imperial Engineers & Equipment Co. Ltd.
Unit B 12/F Cheung Lee Industrial Building
9 Cheung Lee Street Chai Wan
Hong Kong
Tel. +852-2889-0292
Fax +852-2889-1814
info@imperial-elec.com

Hungary

EUCHNER Ges.mbh
Magyarországi Fióktelep
2045 Törökbálint
Tópark utca 1/a.
Tel. +36-2342-8374
Fax +36-2342-8375
info@euchner.hu

India

EUCHNER (India) Pvt. Ltd.
West End Riverview
40, First Floor
Survey No. 169/1
Aundh
Pune-411 007, India
Tel. +91-20-6401 6384
Fax +91-20-2588 5148
euchner.in@gmail.com

Teknic Euchner Pvt. Ltd.
64, Electronics City
Hosur Road
Bangalore 560100
Tel. +91-80-28520711
Fax +91-80-28520900
marketing@teknic-euchner.co.in

Iran

INFOCELL IRAN CO.
84, Manoucheri Ave.
P.O. Box 81655-861
Isfahan
Tel. +98-311-2211-358
Fax +98-311-222-6176
info@infocell-co.com

Israel

Ilan At Gavish Automation Service Ltd.
26 Shenkar St. Qiryat Arie 49513
P.O. Box 10118
Petach Tikva 49001
Tel. +972-3-922-1824
Fax +972-3-924-0761
mail@ilan-gavish.com

Italy

TRITECNICA S.r.l.
Viale Lazio 26
20135 Milano
Tel. +39-02-5419-41
Fax +39-02-5501-0474
info@tritecnica.it

Japan

Solton Co. Ltd.
2-13-7, Shin-Yokohama
Kohoku-ku, Yokohama
Japan 222-0033
Tel. +81-45-471-7711
Fax +81-45-471-7717
sales@solton.co.jp

Korea

EUCHNER Korea Co., Ltd.
RM 810 Daerung Technotown 3rd
#448 Gasang-Dong
Kumchon-Gu, Seoul
Tel. +82-(02)-2107-3500
Fax +82-(02)-2107-3999
info@euchner.co.kr

Mexico

SEPIA S.A. de C.V.
Maricopa # 10
302, Col. Napoles.
Del. Benito Juarez
03810 Mexico D.F.
Tel. +52-55-5536-7787
Fax +52-55-5682-2347
sepia@prodigy.net.mx

New Zealand

CSE-W Arthur Fisher Limited
15 Polaris Place
East Tamaki 2013
Auckland
Tel. +64-9271-3810
Fax +64-9265-1362
chrisl@cse-waf.co.nz

Norway

ELIS ELEKTRO AS
Jerikoveien 16
1067 Oslo
Tel. +47-22-9056-70
Fax +47-22-9056-71
post@eliselektro.no

Poland

ELTRON
Pl. Wolności 7B
50-071 Wrocław
Tel. +48-71-3439-755
Fax +48-71-3460-225
eltron@eltron.pl

Portugal

PAM Serviços Técnicos Industriais Lda.
Rua de Timor - Pavilhão 2A
Zona Industrial da Abelheira
4785-123 TROFA
Tel. +351-252-418431
Fax +351-252-494739
pam@mail.telepac.pt

Republic of South Africa

RUBICON ELECTRICAL DISTRIBUTORS
4 Reith Street, Sidwell
6061 Port Elizabeth
Tel. +27-41-451-4359
Fax +27-41-451-1296
sales@rubiconelectrical.com

Romania

First Electric SRL
5, Luterana Street
010161 Bucharest
Tel. +40-21-31231-39
Fax +40-21-31131-93
office@firstelectric.ro

Singapore

Sentronics Automation & Marketing Pte Ltd.
Blk 3, Ang Mo Kio Industrial Park 2A
#05-06
Singapore 568050
Tel. +65-6744-8018
Fax +65-6744-1929
sentronics@pacific.net.sg

Slovakia

EUCHNER electric s.r.o.
Spielberk Office Center
Holandská 8
639 00 Brno
Tel. +420-533-443-150
Fax +420-533-443-153
info@euchner.cz

Slovenia

SMM d.o.o.
Jaskova 18
2000 Maribor
Tel. +386-2450-2326
Fax +386-2462-5160
franc.kit@smm.si

Spain

EUCHNER, S.L.
Gurutzege 12 - Local 1
Poligono Belartza
20018 San Sebastian
Tel. +34-943-316-760
Fax +34-943-316-405
comercial@euchner.es

Sweden

Censit AB
Box 331
33123 Värnamo
Tel. +46-370-6910-10
Fax +46-370-1888-8
info@censit.se

Switzerland

EUCHNER AG
Grofstrasse 17
8887 Mels
Tel. +41-81-720-4590
Fax +41-81-720-4599
info@euchner.ch

Taiwan

Daybreak Int'l (Taiwan) Corp.
3F, No. 124, Chung-Cheng Road
Shihlin 11145, Taipei
Tel. +886-2-8866-1234
Fax +886-2-8866-1239
day111@ms23.ninet.net

Thailand

Aero Automation Co., Ltd.
600/441 Moo 14 Phaholyothin Rd.
Kukot, Lam Lukka
Patumthanee 12130
Tel. +66-2-536-7660-1
Fax +66-2-536-7877
aeroautomation@yahoo.co.th

Turkey

entek otomasyon
Perpa Ticaret Merkezi B Blok
Kat: 11 No:1622 - 1623
34384 Okmeydanı / Istanbul
Tel. +90-212-320-2000
Fax +90-212-320-1188
entekotomasyon@entek.com.tr

United Kingdom

EUCHNER (UK) Ltd.
Unit 2 Petre Drive,
Sheffield
South Yorkshire
S4 7PZ
Tel. +44-114-256-0123
Fax +44-114-242-5333
info@euchner.co.uk

USA

EUCHNER USA Inc.
6723 Lyons Street
East Syracuse, NY 10357
Tel. +1-315-7010-315
Fax +1-315-7010-319
info@euchner-usa.com

EUCHNER USA Inc.

Detroit Office
130 Hampton Circle
Rochester Hills, MI 48307
Tel. +1-248-537-1092
Fax +1-248-537-1095
info@euchner-usa.com

EUCHNER GmbH + Co. KG

Kohlhammerstraße 16

70771 Leinfelden-Echterdingen

Germany

Tel. +49-(0)711-7597-0

Fax +49-(0)711-753316

info@euchner.de

www.euchner.com

More than safety.



EUCHNER