



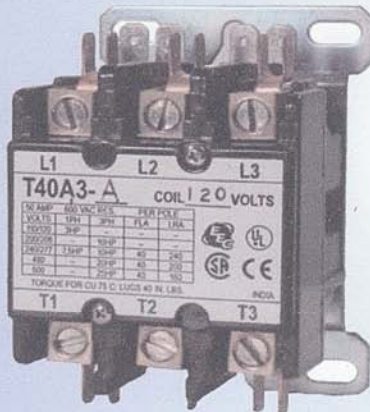
# DEFINITE PURPOSE CONTACTORS



1 Pole



2 Pole



3 Pole



Standard:  
with Boxlug and  
spade terminals  
(2 & 3 Pole)

## SIZES

- 30 Amp
- 40 Amp
- 50 Amp
- 75 Amp
- 100 Amp
- HP Rated



Universal  
Mounting

Air Conditioning

Compressors

Refrigeration

Laundry

Heaters

HVAC

200,000 Electrical Operations  
2 Million Mechanical Operations

Coils: 80% to 105% rated voltage,  
65VA inrush, 7.5VA sealed

Ambient Temp. -40°F to +149°F

Minimum Contact rating 3Amp  
@ 120Volt AC

For Terms and Conditions of sale  
reference catalog IC-9 page 270.



**United  
Automation**

1491 North Keely, Suite 4,  
Lewisville, TX 75057  
Phone: (972) 420-1123  
Fax: (972) 420-1103

Email: [united1@automation-dfw.com](mailto:united1@automation-dfw.com)



**United Automation**

1491 North Keely, Suite 4,

Lewisville, TX 75057

Phone: (972) 420-1123

Fax: (972) 420-1103

Email: united1@automation-dfw.com

**DEFINITE PURPOSE CONTACTORS 100A Max**

Locked Rotor (Per Pole)			HP Single Phase		Full Load	Resistive	UL Part #	List Price	List Price	List Price
AC 240V	AC 480V	AC 600V	120V	240V	Amps	Amps	*Add coil suffix	1-10 pcs	11-50 pcs	100+ pcs
<b>1 Pole:</b>							<b>1 Pole</b>			
150	75	50	1	2	30	40	T30A1-*	\$17.00	\$15.00	\$12.00
240	200	160	2	3	40	50	T40A1-*	\$18.00	\$16.00	\$13.00
<b>2 Pole:</b>							<b>2 Pole:</b>			
150	125	100	2	3	30	40	T30A2-*	\$18.00	\$16.00	\$13.50
240	200	150	2	3	40	50	T40A2-*	\$19.00	\$17.00	\$14.50
<b>3 Pole:</b>							<b>3 Pole:</b>			
180	150	120	2	5	30	40	T30A3-*	\$24.00	\$22.00	\$18.00
240	200	160	3	7.5	40	50	T40A3-*	\$24.00	\$22.00	\$20.00
360	215	175	240V @ 60A			75	T60A3-*	\$60.00	\$52.00	\$46.00
540	450	360	240V @ 90A			100	T90A3-*	\$170.00	\$155.00	\$145.00

Part #	HP 3 Phase			
	208V	240V	480V	600V
<b>3 Pole</b>				
T30A3-*	10	10	15	20
T40A3-*	10	10	20	25
T60A3-*		20	30	30
T90A3-*		30	60	60

**60HZ AC Coil Suffix**

\* Add to above part #

Part # example: T30A3-G =  
30Amp + 24V coil

**Voltage \*Suffix**

24V	-G
120V	-A
208V	-B
240V	-C
277V	-H
480V	-E

**Spare Coil Part #**

\* Add coil suffix letter to part #

Part # example: TA2-G (24V coil)

Replacement Contactor:	Spare Coil Part #	List \$	Amps
2 pole	TA2-*	\$ 4.00	30+
3 pole	TA3-*	\$ 4.50	40A
3 pole	TA3-60-*	\$12.00	60A
3 pole	TA3-90-*	\$34.00	90A



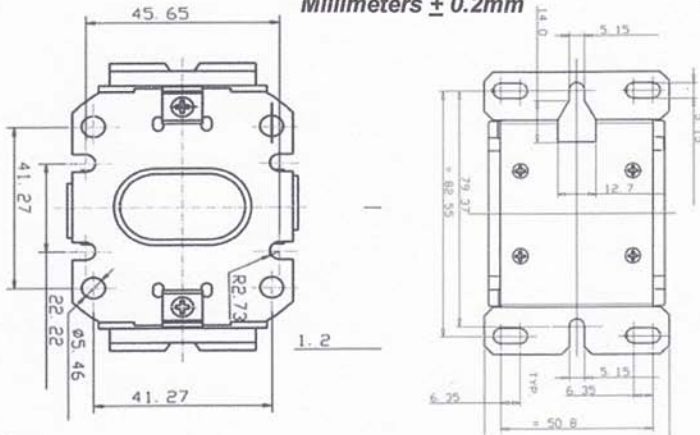
Single Pole supplied with Non-Switching Neutral Terminals

1 Pole Standard with Screw Terminal

Auxiliary Contacts			
For use on Contactor	1N.O.+ 1N.C. Auxiliary	List Price	UL
T30A3, T40A3	Aux 11	\$ 5.00	10A 600V
T60, T90	Aux-c11	\$ 5.00	UL Expected 2007

**1, 2 Pole Mounting Plate 3 Pole T30, T40**

Millimeters ± 0.2mm



**30 Amp only**

Screw Terminal Option  
Add "-S" to part #

Example: T30A3-A-S



**Contactor Dimensions**

Pole	Millimeters			Inches		
	H	W	D	H	W	D
1, 2	86	54	67	3.39	2.19	2.64
3, T30, T40	96	59	68	3.78	2.32	2.68
T60	115	67.5	79	4.53	2.66	3.11
T90	133	89	115	5.24	3.5	4.53